

# EZ-Wash™ Station

## Installation Instructions



### IMPORTANT!

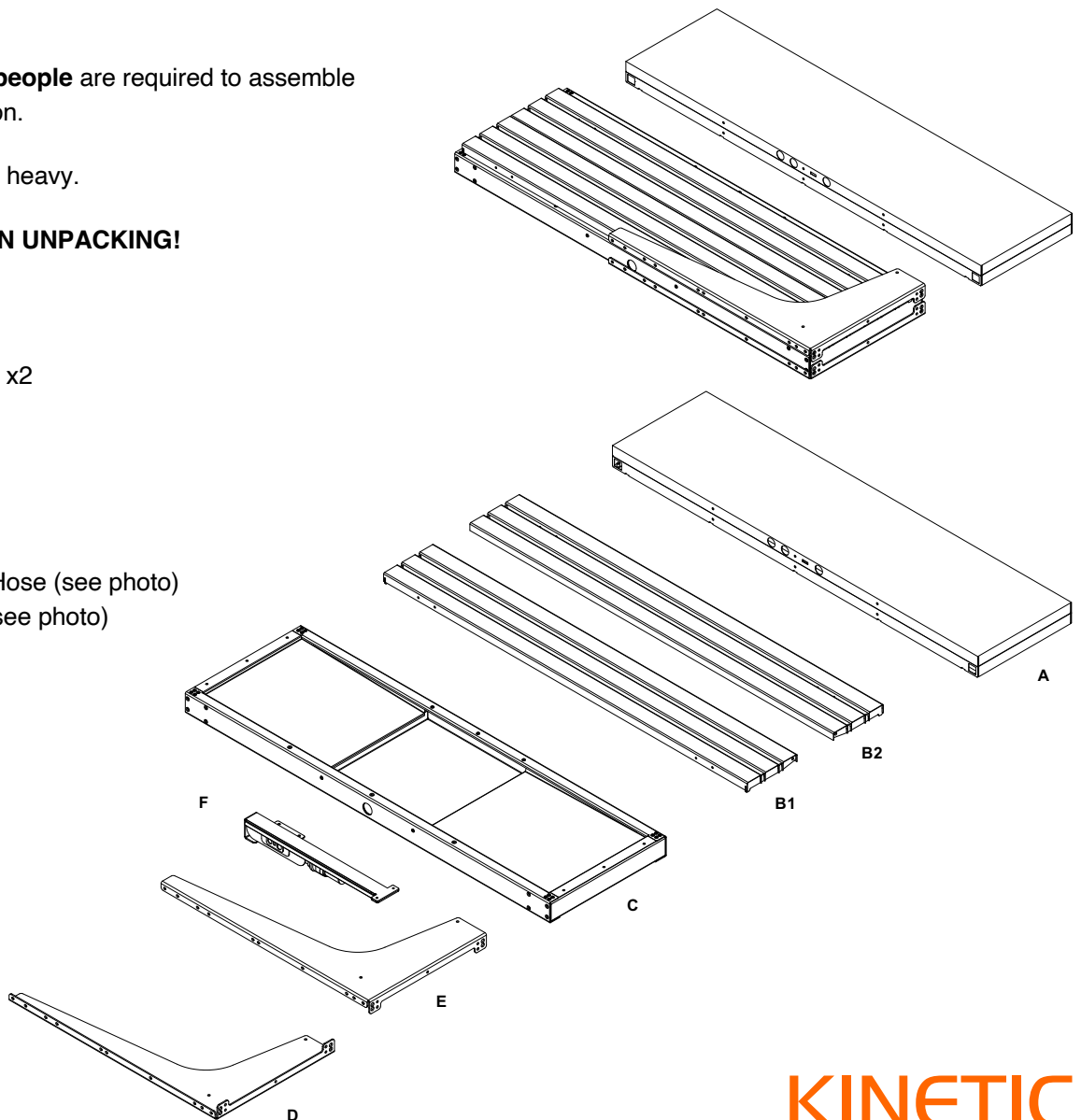
A **minimum of two people** are required to assemble the EZ-Wash™ Station.

The components are heavy.

**BE CAREFUL WHEN UNPACKING!**

### PARTS LIST

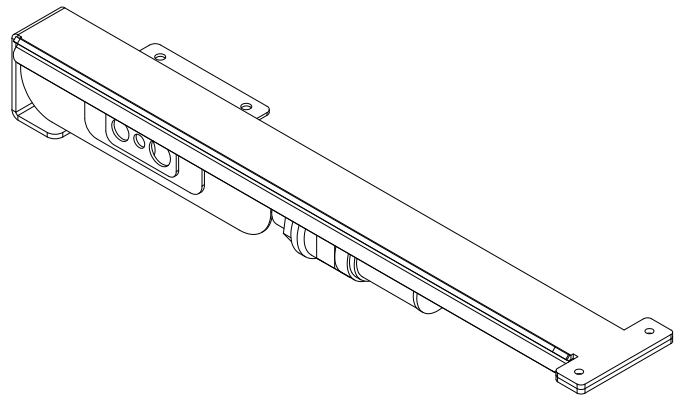
- A. Custom Panels – x2
- B. Drain Grills – x2
- C. Drain Basin
- D. Left Side Panel
- E. Right Side Panel
- F. Set of Sub-Parts
- G. Spray Gun with Hose (see photo)
- H. Cleaning Tools (see photo)



**KINETIC**

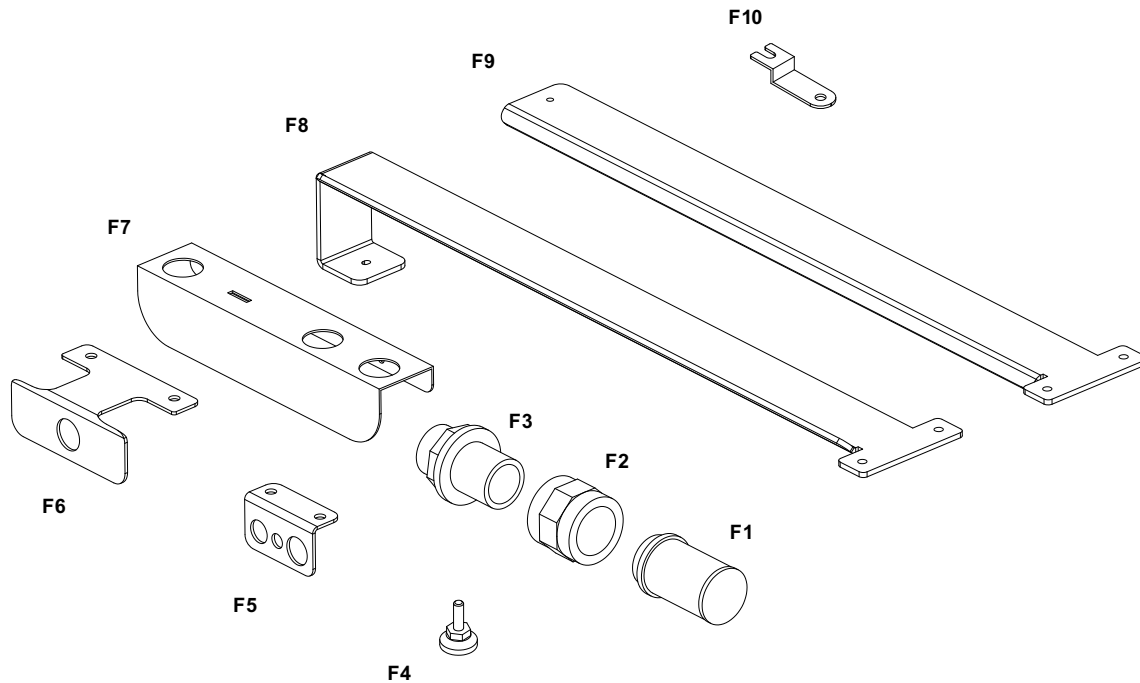
## SET OF SUB-PARTS

Inside the Drainage Basin **C** are the Sub-Parts **F**.

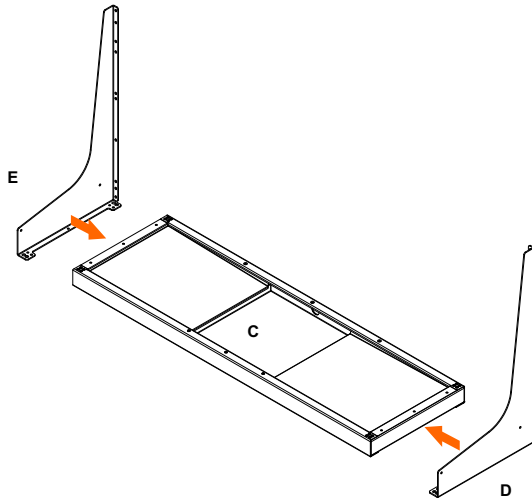


## SUB-PARTS LIST

- F1. Filter
- F2. Union
- F3. Wall Pass
- F4. Leveling feet (x4)
- F5. Water Supply Support
- F6. Hose Support
- F7. Tool Holder
- F8. Outside Wash Support
- F9. Inside Wash Support
- F10. Fasteners (x4)

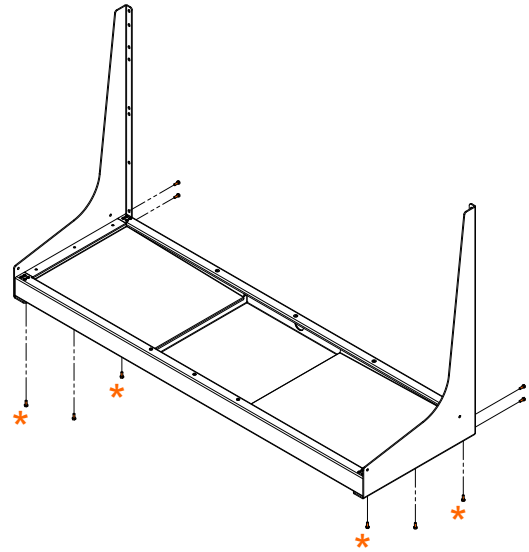


1



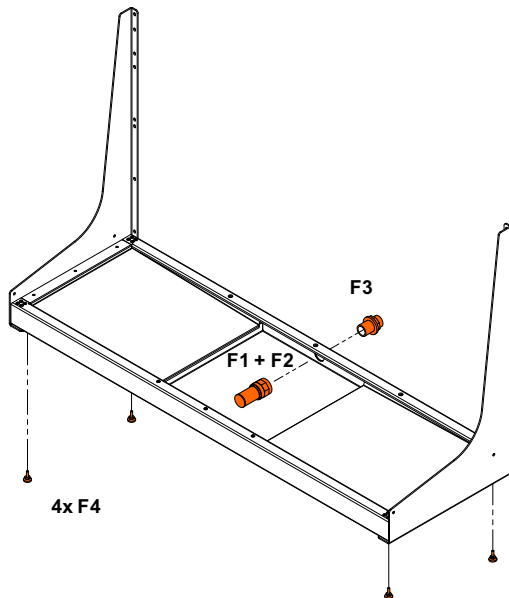
- place Drain Basin **C** on a stable surface (two flat boards are recommended)
- position Left Side Panel **E** and Right Side Panel **D** in line with respective fastening holes located on underside of Drain Basin

2



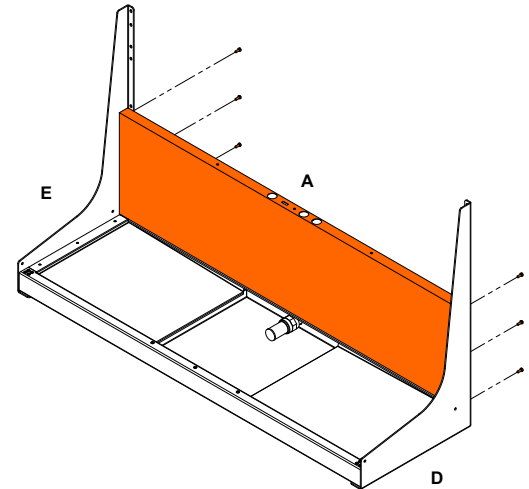
- attach sides using M8 screws
- screws marked \* must be used with supplied M8 nut (remaining positions have nuts driven into the plate)

3



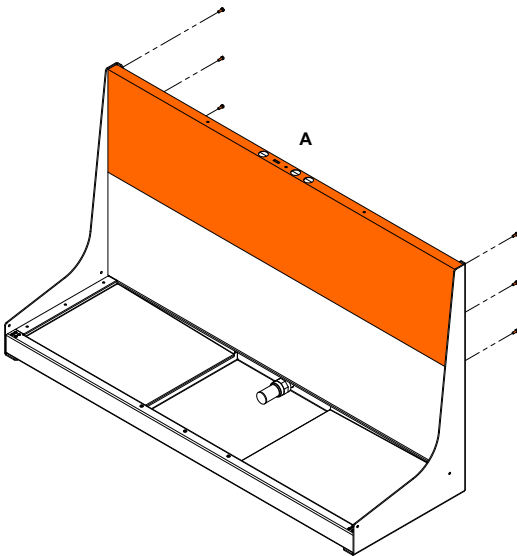
- place Leveling Feet **F4** on bottom four corners of Drain Basin **C** and screw them in as far as possible
- assemble Filter **F1** with Union **F2**
- insert Wall Pass **F3** through hole in the water collection tray and screw two parts together firmly
- use rubber sealant on the inside of the tray

4



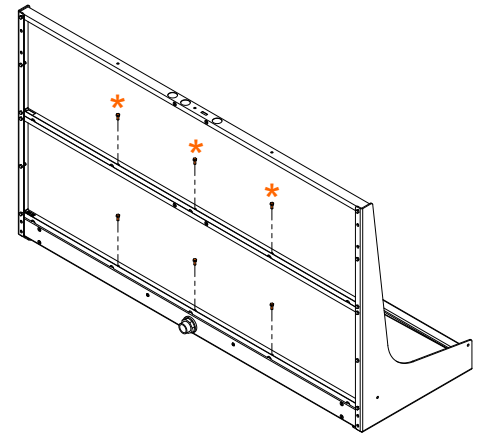
- place Bottom Custom Panel **A** between Left Side Panel **E** and Right Side Panel **D**
- use 6x M8 screws to tighten panel on both sides

5



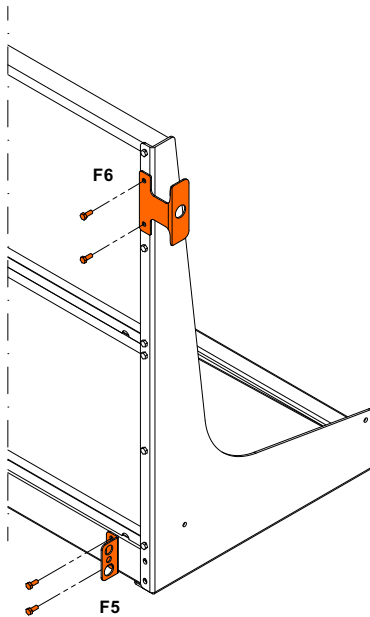
- place Top Custom Panel **A** between Left Side Panel **E** and Right Side Panel **D**
- use 6x M8 screws to tighten panel on both sides

6



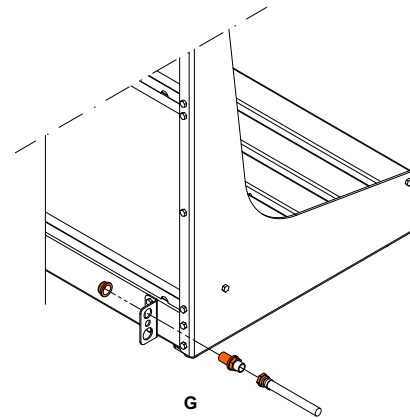
- use 6x M8 screws to fasten Bottom Custom Panel to Drain Basin and between both Custom Panels
- screws marked \* must be used with supplied M8 nut (remaining positions have nuts driven into the plate)

7



- place Water Supply Support **F5** and Hose Support **F6** on preferred panel (either Left Side or Right Side)
- use 4x M8 screws to fasten both pieces

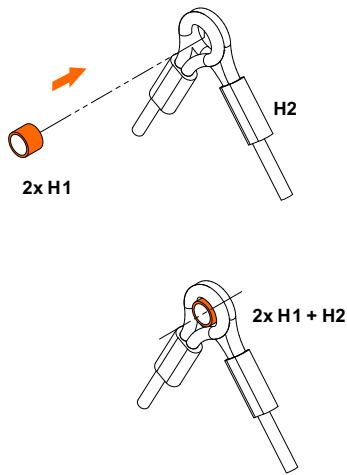
8



- attach Spray Gun Hose Bushing **G** to Water Supply Support
- default connection to Flush Hose is 1/2 inch male

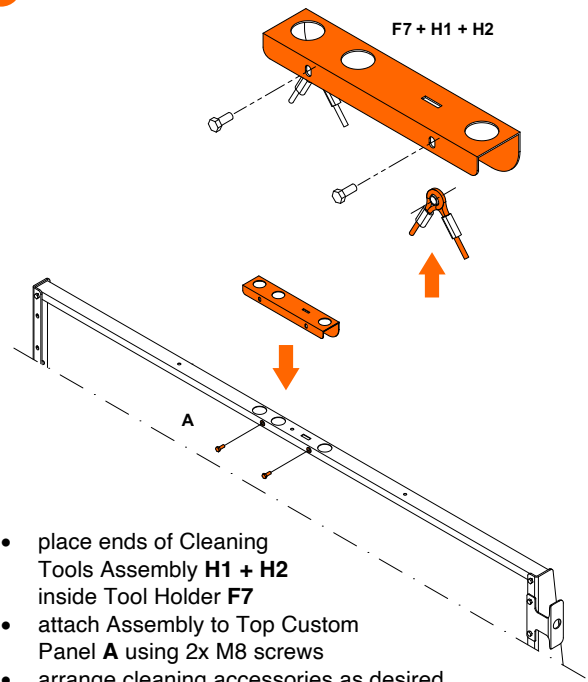
# KINETIC

9



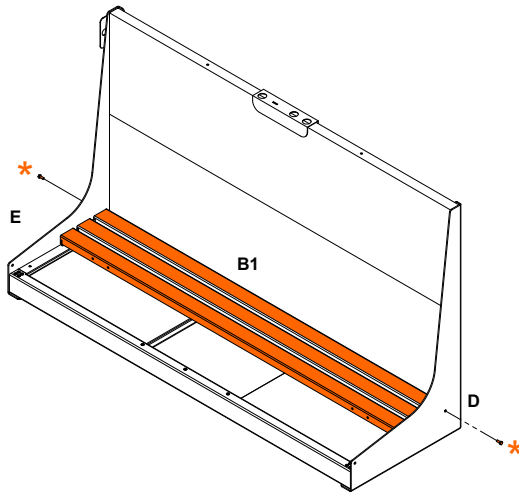
- insert 2x Metal Sleeves **H1** into looped ends of Cleaning Tools **H2**
- repeat to make Cleaning Tools Assembly **H**

10



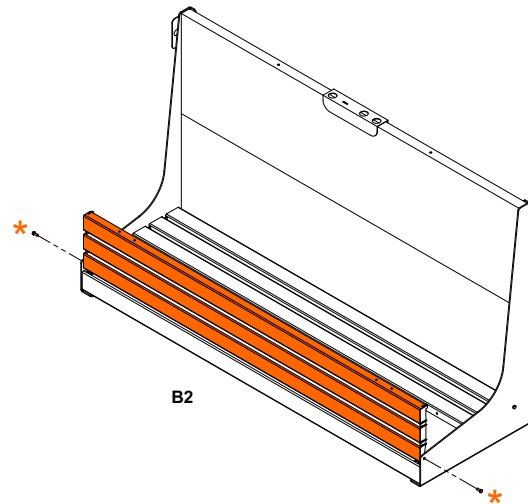
- place ends of Cleaning Tools Assembly **H1 + H2** inside Tool Holder **F7**
- attach Assembly to Top Custom Panel **A** using 2x M8 screws
- arrange cleaning accessories as desired

11



- place Drain Grill **B1** on Drain Basin **C**
- attach Grill in position closest to the Bottom Custom Panel using 2x M10 screws and nuts
- M10 screws must enter from the outside of Left Side Panel **E** and Right Side Panel **D**
- tighten enough to secure Grill while allowing easy opening for maintenance

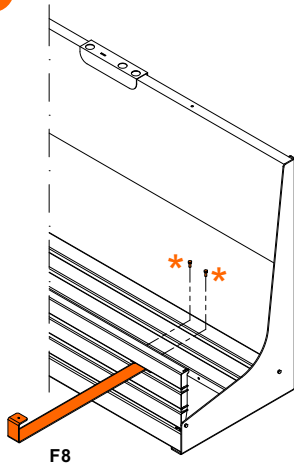
12



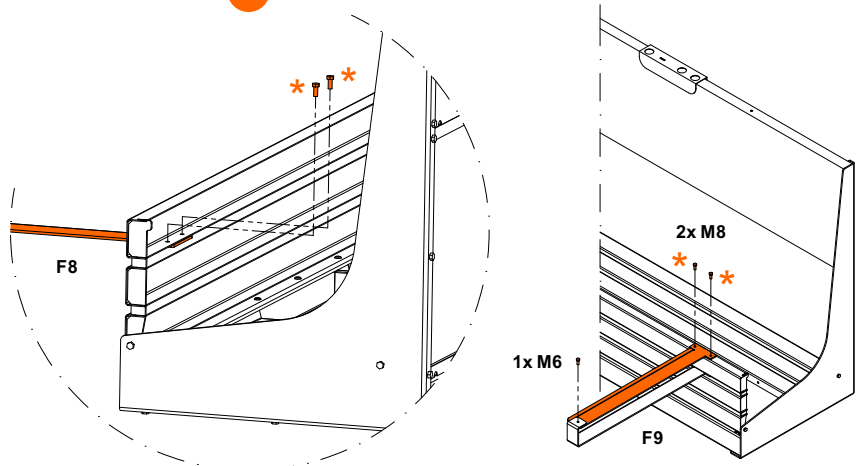
- place Drain Grill **B2** on Drain Basin **C**
- attach Grill in position closest to the front of the EZ-Wash™ Station using 2x M10 screws and nuts
- M10 screws must enter from the outside of Left Side Panel **E** and Right Side Panel **D**
- tighten enough to secure Grill while allowing easy opening for maintenance

KINETIC

13



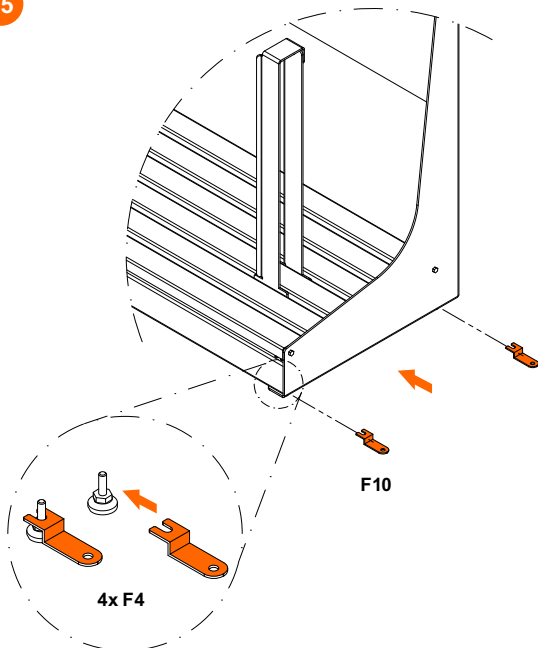
14



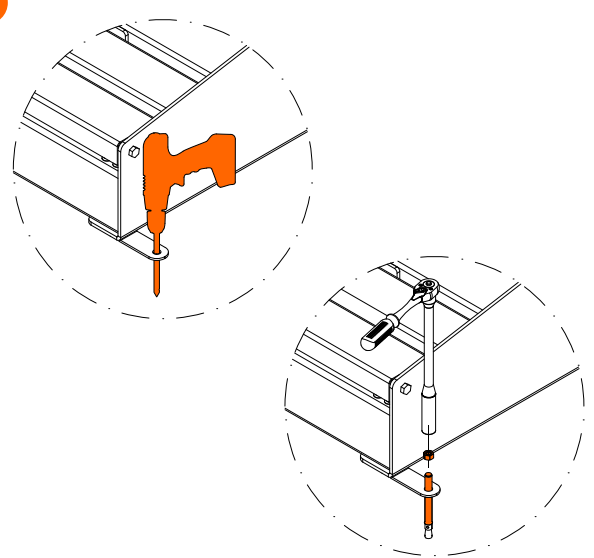
- choose side of EZ-Wash™ Station to assemble bicycle Wash Support (Left Side or Right Side)
- attach Outside Wash Support **F8** into Drain Grill **B2** using 2x screws and 2x M8 nuts

- attach Inside Wash Support **F9** onto Outside Wash Support **F8** with 1x M6 screw
- attach Inside Wash Support **F9** onto Drain Grill **B2** using 2x screws and 2x M8 nuts

15



16



- place EZ-Wash™ Station at intended location on level surface (0° incline)
- connect supply and drainage network
- attach 4x Fasteners **F10** to Leveling Feet **F4** to prevent EZ-Wash™ Station from moving

- consider the surface of the installation site
- choose the ideal fixing method
- secure fixing hardware to exposed holes on Fasteners **F10** to keep the EZ-Wash™ Station in place