

EZ-Pentagon™ 2H Horizontal Rack

PRODUCT CODE

10101255

CAPACITY

3-5 Bikes

MATERIALS

Round Steel Pipe
2 3/8" OD (Ø60.3 mm)

THICKNESS

0.154" (3.91 mm)

WEIGHT

76.65 lbs. (34.8 kg)

FINISHES

- Powder Coated ANY STANDARD RAL
- Galvanized 10101258
- Stainless 10101259

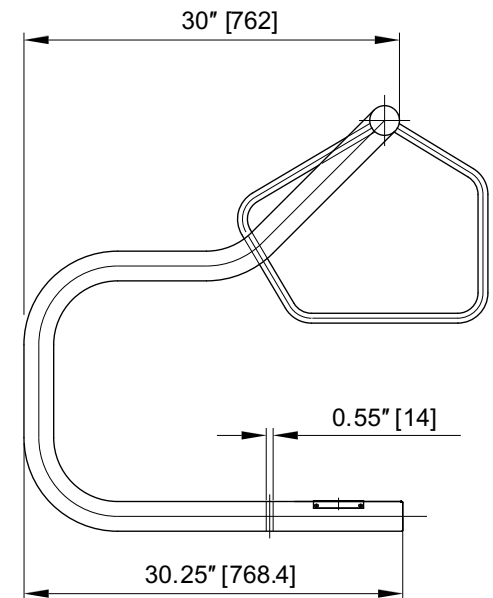
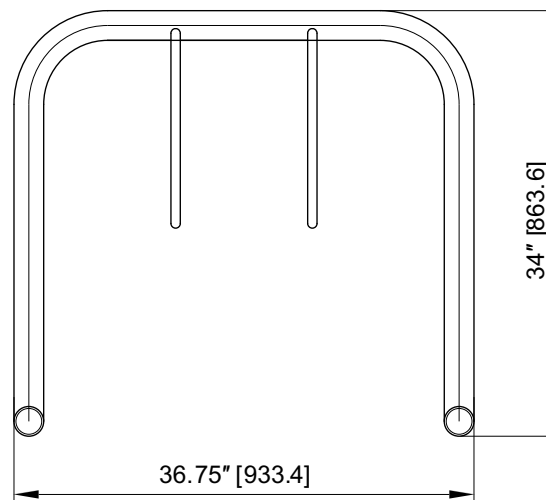
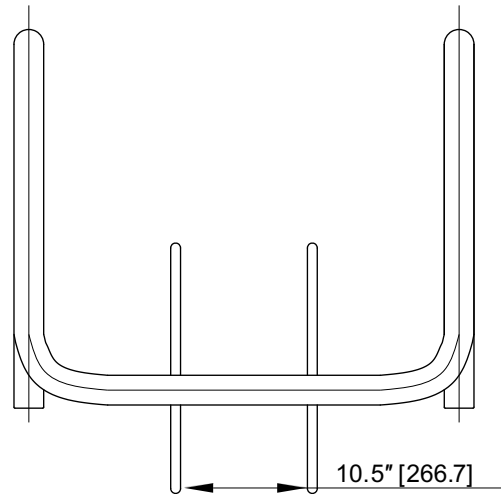
OPTIONS

- Tamper proof nuts
- 2 holes per leg

SPACING REQUIREMENTS

For recommendations and details on clearances and aisle widths please refer to the [APBP Bicycle Parking Guide](#) or your local ordinances and guidelines.

Drawings are for information purposes only and while accurate at the time of creation, Kinetic Parking Solutions, Inc. must confirm its accuracy prior to submission.



EZ-Pentagon™ 3H Horizontal Rack

PRODUCT CODE

10101265

CAPACITY

4-6 Bikes

MATERIALS

Round Steel Pipe
2 3/8" OD (Ø60.3 mm)

THICKNESS

0.154" (3.91 mm)

WEIGHT

91.74 lbs. (41.65 kg)

FINISHES

- Powder Coated ANY STANDARD RAL
- Galvanized 10101268
- Stainless 10101269

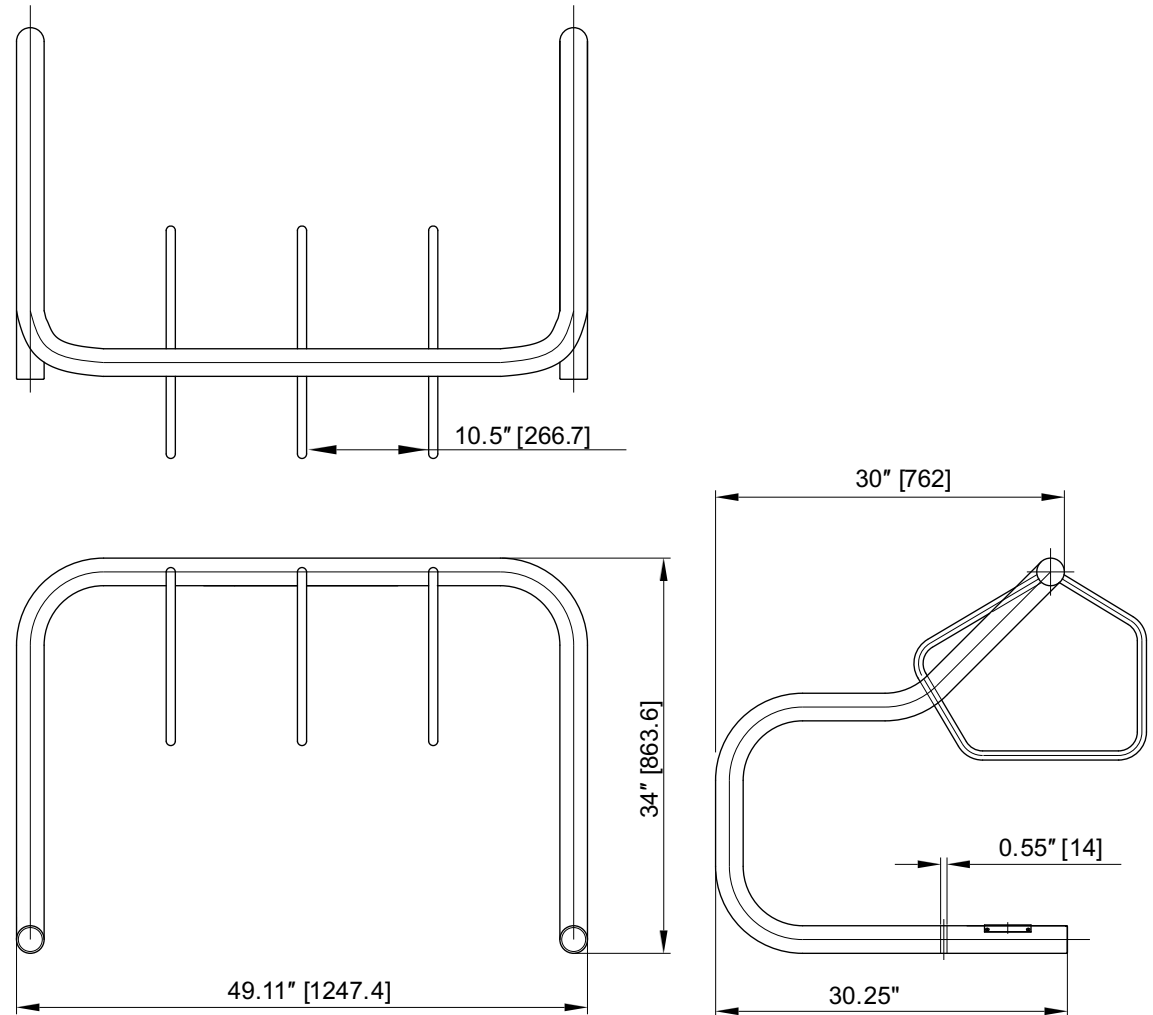
OPTIONS

- Tamper proof nuts
- 2 holes per leg

SPACING REQUIREMENTS

For recommendations and details on clearances and aisle widths please refer to the [APBP Bicycle Parking Guide](#) or your local ordinances and guidelines.

Drawings are for information purposes only and while accurate at the time of creation, Kinetic Parking Solutions, Inc. must confirm its accuracy prior to submission.



EZ-Pentagon™ 4H Horizontal Rack

PRODUCT CODE

10101275

CAPACITY

5-7 Bikes

MATERIALS

Round Steel Pipe
2 3/8" OD (Ø60.3 mm)

THICKNESS

0.154" (3.91 mm)

WEIGHT

103.3 lbs. (46.9 kg)

FINISHES

- Powder Coated ANY STANDARD RAL
- Galvanized 10101278
- Stainless 10101279

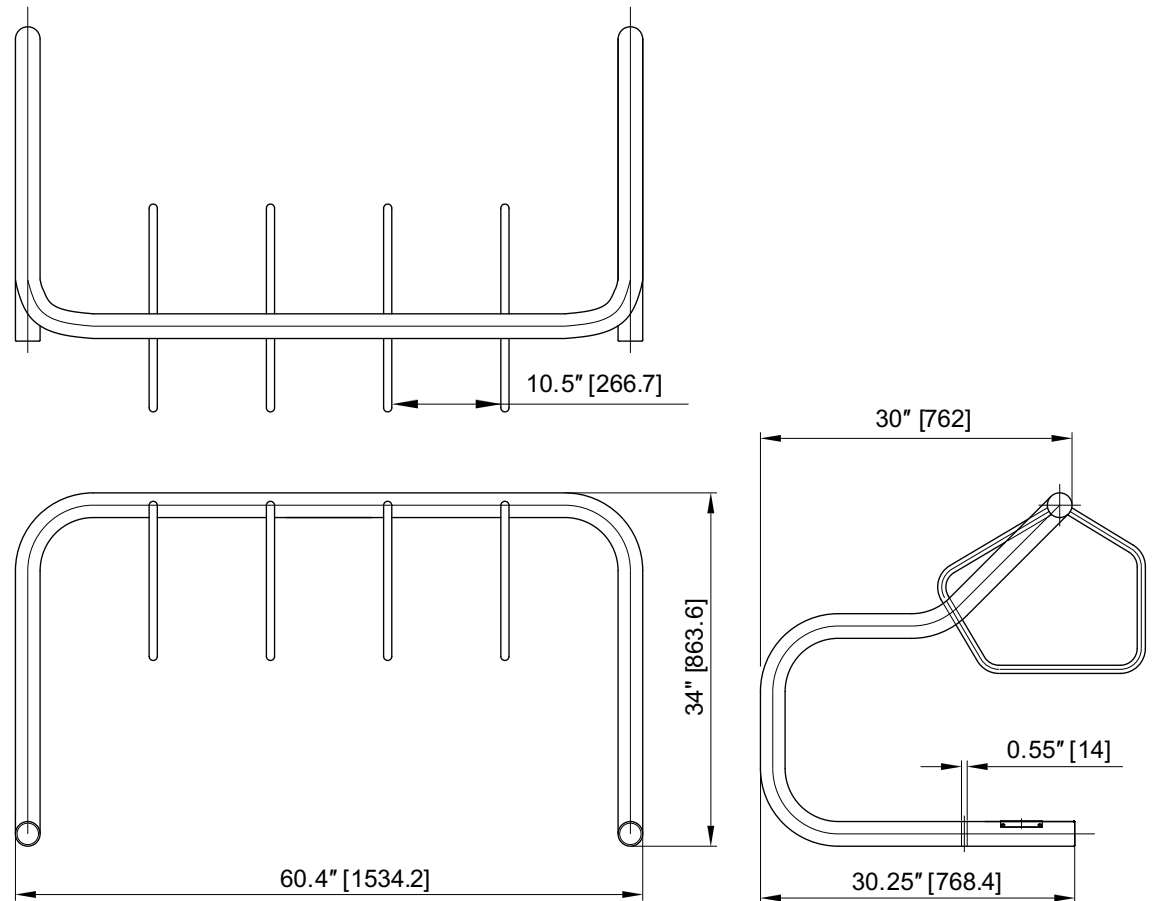
OPTIONS

- Tamper proof nuts
- 2 holes per leg

SPACING REQUIREMENTS

For recommendations and details on clearances and aisle widths please refer to the [APBP Bicycle Parking Guide](#) or your local ordinances and guidelines.

Drawings are for information purposes only and while accurate at the time of creation, Kinetic Parking Solutions, Inc. must confirm its accuracy prior to submission.



EZ-Pentagon™ 5H Horizontal Rack

PRODUCT CODE

10101285

CAPACITY

7-10 Bikes

MATERIALS

Round Steel Pipe
2 3/8" OD (Ø60.3 mm)

THICKNESS

0.154" (3.91 mm)

WEIGHT

115.24 lbs. (52.32 kg)

FINISHES

- Powder Coated ANY STANDARD RAL
- Galvanized 10101288
- Stainless 10101289

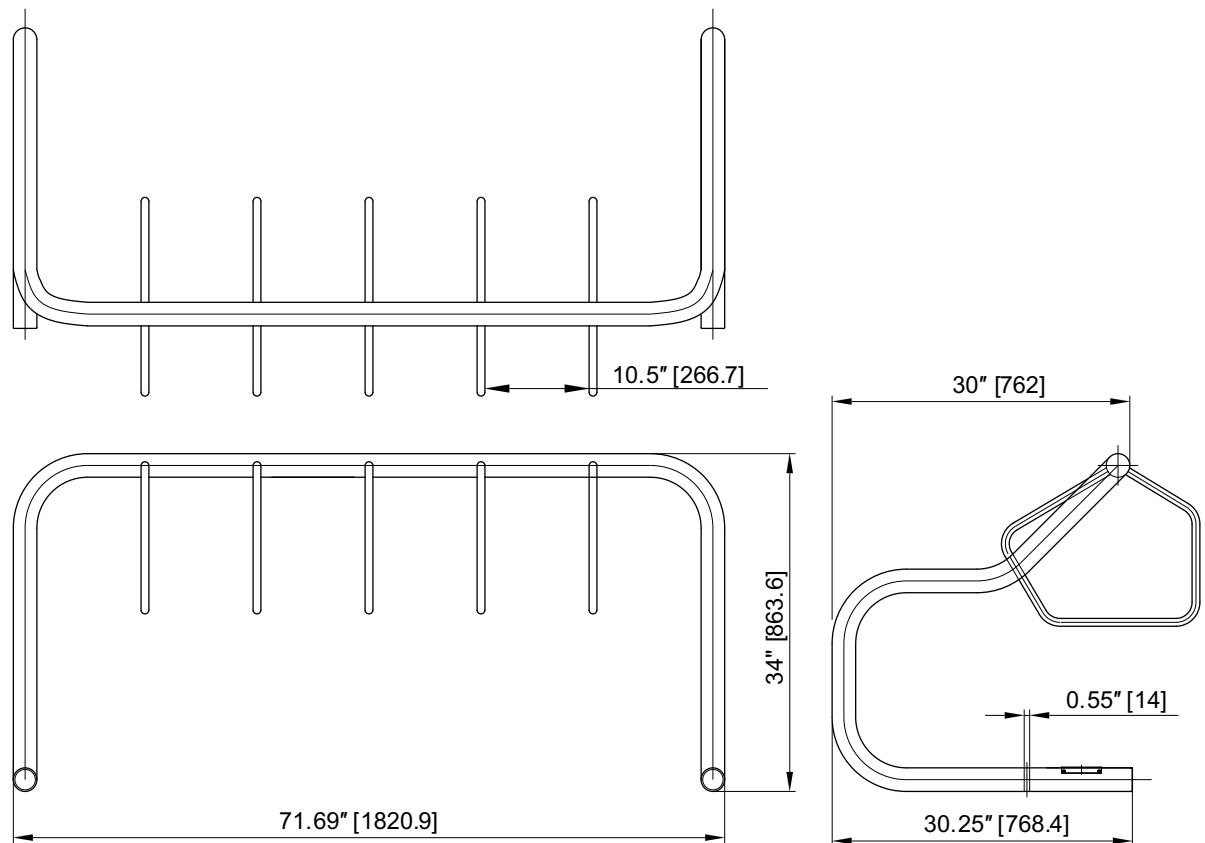
OPTIONS

- Tamper proof nuts
- 2 holes per leg

SPACING REQUIREMENTS

For recommendations and details on clearances and aisle widths please refer to the [APBP Bicycle Parking Guide](#) or your local ordinances and guidelines.

Drawings are for information purposes only and while accurate at the time of creation, Kinetic Parking Solutions, Inc. must confirm its accuracy prior to submission.



EZ-Triangle™ 2H Horizontal Rack

PRODUCT CODE

10101215

CAPACITY

3-5 Bikes

MATERIALS

Round Steel Pipe
2 3/8" OD (Ø60.3 mm)

THICKNESS

0.154" (3.91 mm)

WEIGHT

66.74 lbs. (30.3 kg)

FINISHES

- Powder Coated ANY STANDARD RAL
- Galvanized 10101218
- Stainless 10101219

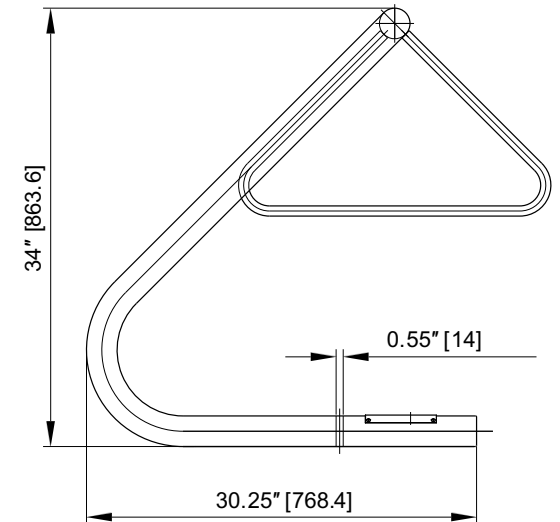
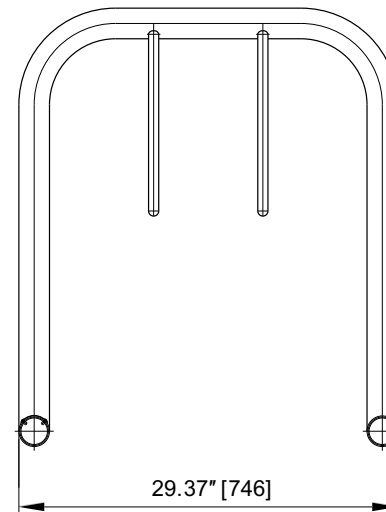
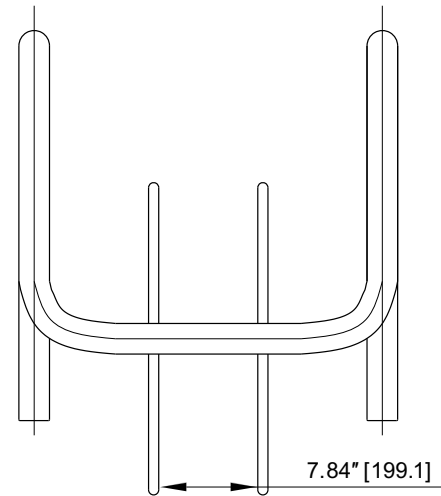
OPTIONS

- Tamper proof nuts
- 2 holes per leg

SPACING REQUIREMENTS

For recommendations and details on clearances and aisle widths please refer to the [APBP Bicycle Parking Guide](#) or your local ordinances and guidelines.

Drawings are for information purposes only and while accurate at the time of creation, Kinetic Parking Solutions, Inc. must confirm its accuracy prior to submission.



EZ-Triangle™ 3H Horizontal Rack

PRODUCT CODE

10101225

CAPACITY

4-6 Bikes

MATERIALS

Round Steel Pipe
2 3/8" OD (Ø60.3 mm)

THICKNESS

0.154" (3.91 mm)

WEIGHT

81.50 lbs. (37 kg)

FINISHES

- Powder Coated ANY STANDARD RAL
- Galvanized 10101228
- Stainless 10101229

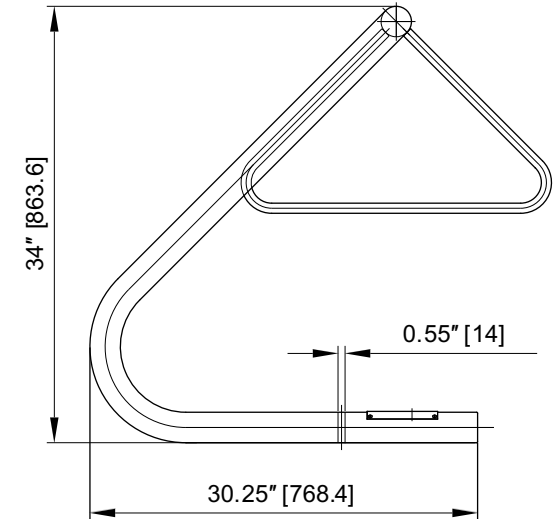
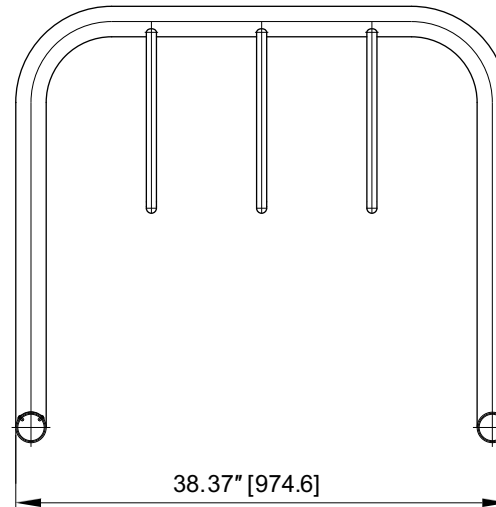
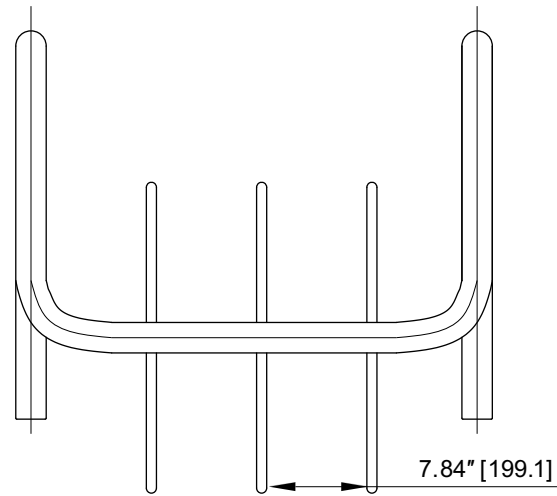
OPTIONS

- Tamper proof nuts
- 2 holes per leg

SPACING REQUIREMENTS

For recommendations and details on clearances and aisle widths please refer to the [APBP Bicycle Parking Guide](#) or your local ordinances and guidelines.

Drawings are for information purposes only and while accurate at the time of creation, Kinetic Parking Solutions, Inc. must confirm its accuracy prior to submission.



EZ-Triangle™ 4H Horizontal Rack

PRODUCT CODE

10101235

CAPACITY

5-7 Bikes

MATERIALS

Round Steel Pipe
2 3/8" OD (Ø60.3 mm)

THICKNESS

0.154" (3.91 mm)

WEIGHT

92.95 lbs. (42.2 kg)

FINISHES

- Powder Coated ANY STANDARD RAL
- Galvanized 10101238
- Stainless 10101239

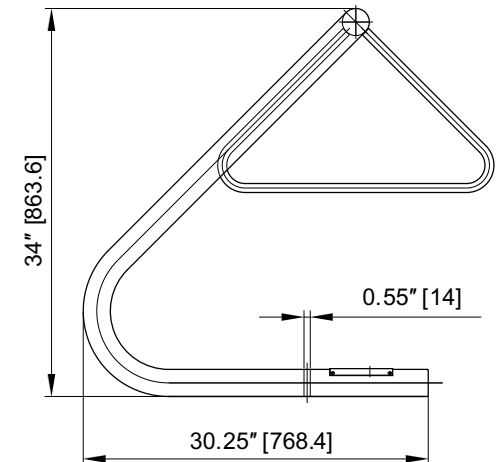
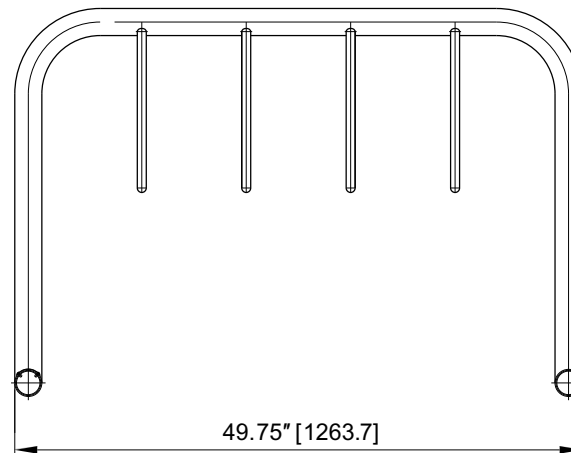
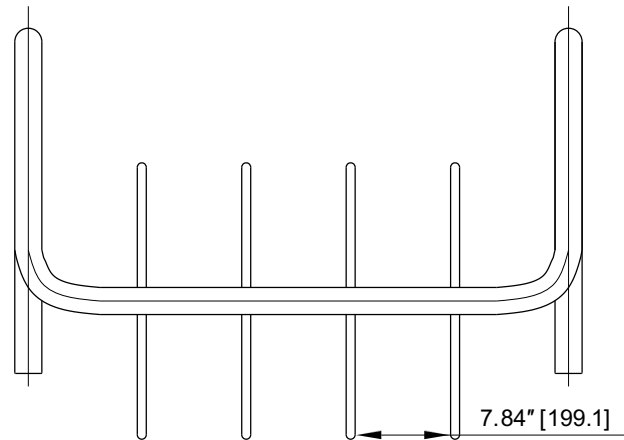
OPTIONS

- Tamper proof nuts
- 2 holes per leg

SPACING REQUIREMENTS

For recommendations and details on clearances and aisle widths please refer to the [APBP Bicycle Parking Guide](#) or your local ordinances and guidelines.

Drawings are for information purposes only and while accurate at the time of creation, Kinetic Parking Solutions, Inc. must confirm its accuracy prior to submission.



EZ-Triangle™ 7H Horizontal Rack

PRODUCT CODE

10101245

CAPACITY

7-10 Bikes

MATERIALS

Round Steel Pipe
2 3/8" OD (Ø60.3 mm)

THICKNESS

0.154" (3.91 mm)

WEIGHT

130.62 lbs. (59.3 kg)

FINISHES

- Powder Coated ANY STANDARD RAL
- Galvanized 10101248
- Stainless 10101249

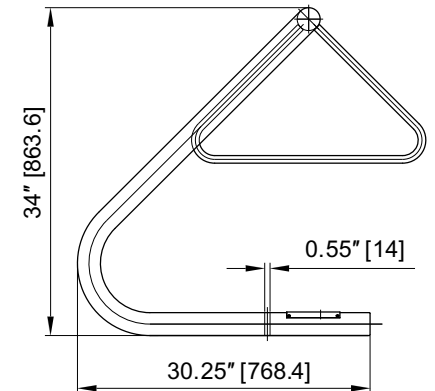
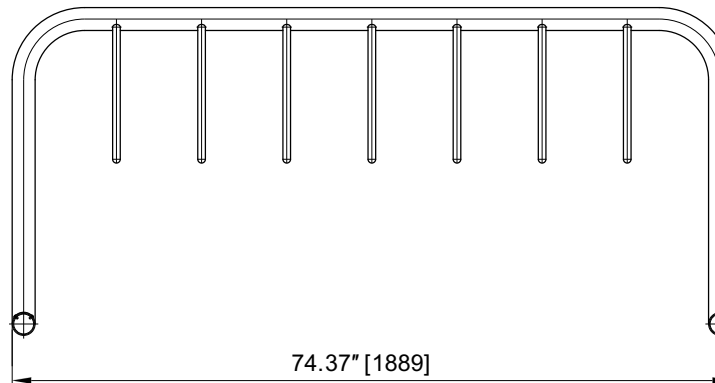
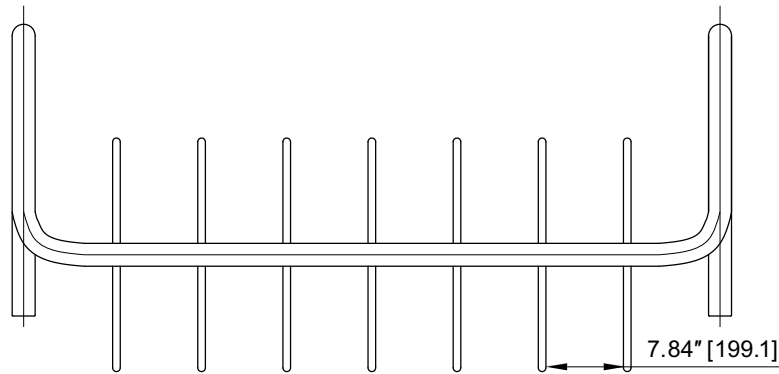
OPTIONS

- Tamper proof nuts
- 2 holes per leg

SPACING REQUIREMENTS

For recommendations and details on clearances and aisle widths please refer to the [APBP Bicycle Parking Guide](#) or your local ordinances and guidelines.

Drawings are for information purposes only and while accurate at the time of creation, Kinetic Parking Solutions, Inc. must confirm its accuracy prior to submission.



EZ-U™ Horizontal Rack

PRODUCT CODE

10101025

CAPACITY

2 Bikes

MATERIALS

Round Steel Pipe
2 3/8" OD (Ø60.3 mm)

THICKNESS

0.154" (3.91 mm)

WEIGHT

33.46 lbs. (15.18 kg)

FINISHES

- Powder Coated (any standard RAL)
- Galvanized (10101028)
- Stainless (10101029)

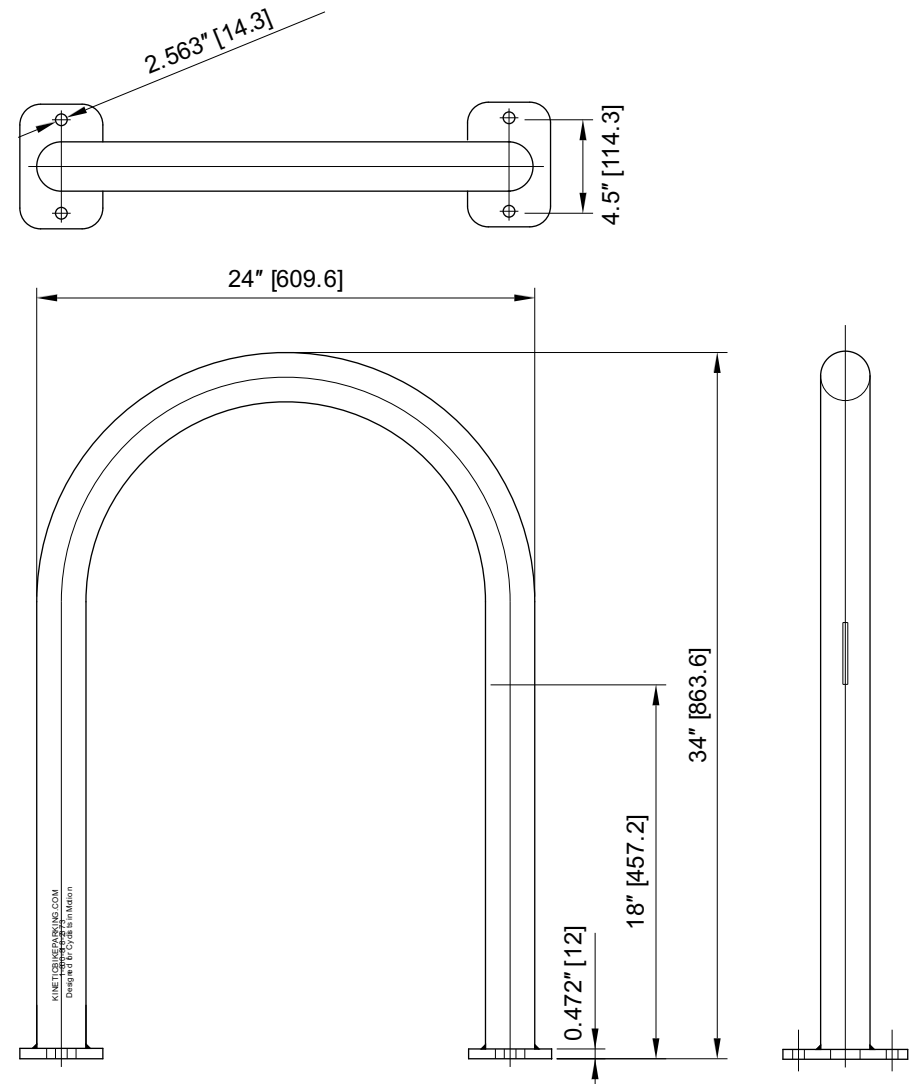
OPTION

- Tamper proof nuts

SPACING REQUIREMENTS

For recommendations and details on clearances and aisle widths please refer to the [APBP Bicycle Parking Guide](#) or your local ordinances and guidelines.

Drawings are for information purposes only and while accurate at the time of creation, Kinetic Parking Solutions, Inc. must confirm its accuracy prior to submission.



EZ-U™ Horizontal Rack & Crossbar

PRODUCT CODE

10101030

CAPACITY

2 Bikes

MATERIALS

Round Steel Pipe
2 3/8" OD (Ø60.3 mm)

THICKNESS

0.154" (3.91 mm)

WEIGHT

35.46 lbs. (16.1 kg)

FINISHES

- Powder Coated ANY STANDARD RAL
- Galvanized 10101033
- Stainless 10101034

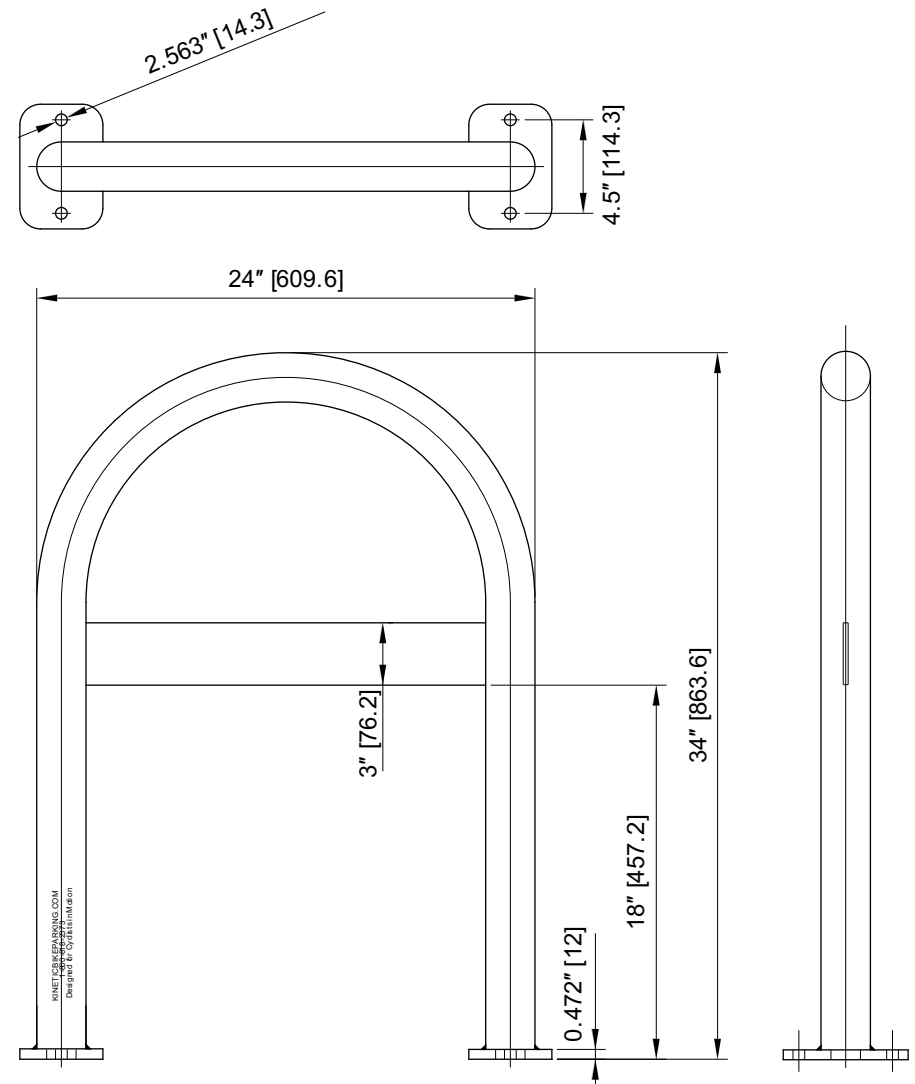
OPTION

- Tamper proof nuts
- Customizable cross bar

SPACING REQUIREMENTS

For recommendations and details on clearances and aisle widths please refer to the [APBP Bicycle Parking Guide](#) or your local ordinances and guidelines.

Drawings are for information purposes only and while accurate at the time of creation, Kinetic Parking Solutions, Inc. must confirm its accuracy prior to submission.



EZ-U™ Horizontal Rack Embedded

PRODUCT CODE

10101130

CAPACITY

2 Bikes

MATERIALS

Round Steel Pipe
2 3/8" OD (Ø60.3 mm)

THICKNESS

0.154" (3.91 mm)

WEIGHT

35.46 lbs. (16.1 kg)

FINISHES

- Powder Coated ANY STANDARD RAL
- Galvanized 10101133
- Stainless 10101134

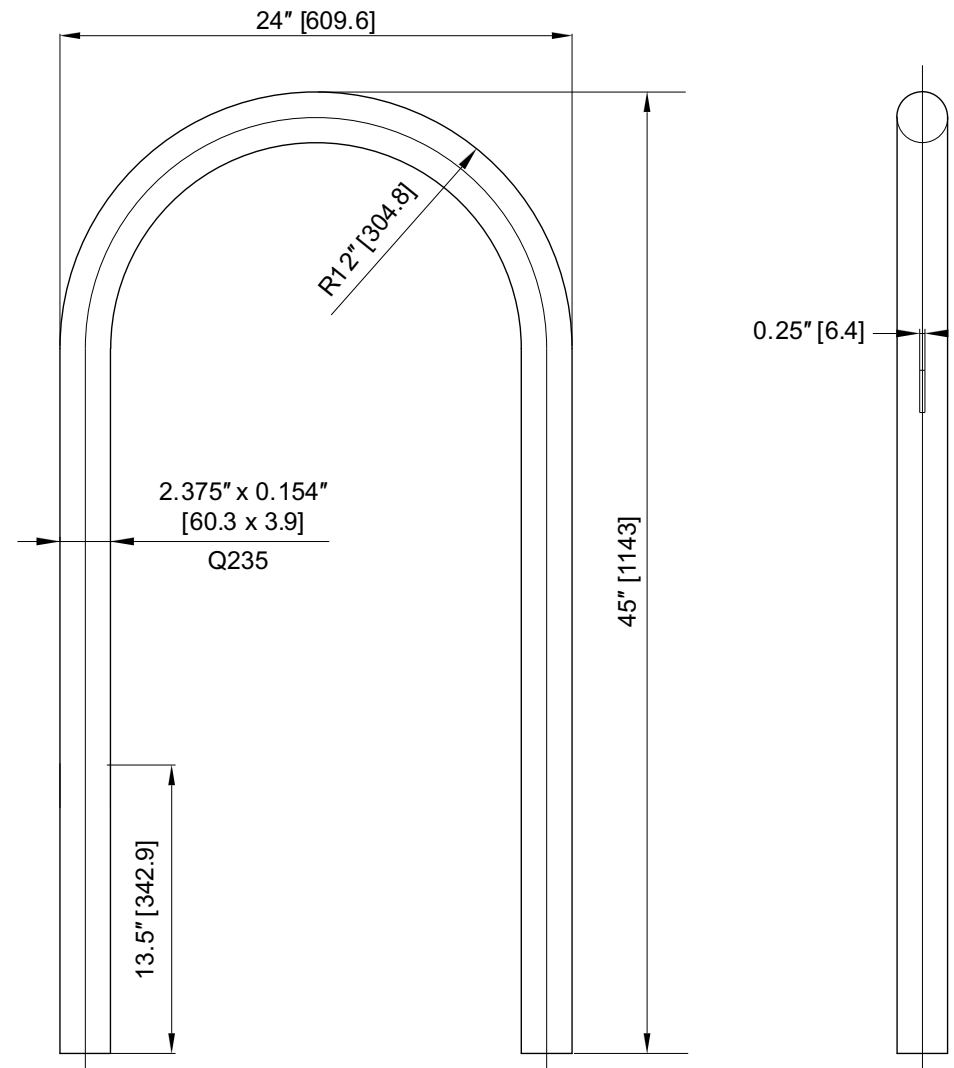
OPTION

- Tamper proof nuts

SPACING REQUIREMENTS

For recommendations and details on clearances and aisle widths please refer to the [APBP Bicycle Parking Guide](#) or your local ordinances and guidelines.

Drawings are for information purposes only and while accurate at the time of creation, Kinetic Parking Solutions, Inc. must confirm its accuracy prior to submission.



EZ-U™ Horizontal Rack Embedded & Crossbar

PRODUCT CODE

10101135

CAPACITY

2 Bikes

MATERIALS

Round Steel Pipe
2 3/8" OD (Ø60.3 mm)

THICKNESS

0.154" (3.91 mm)

WEIGHT

37.46 lbs. (17.1 kg)

FINISHES

- Powder Coated ANY STANDARD RAL
- Galvanized 10101138
- Stainless 10101139

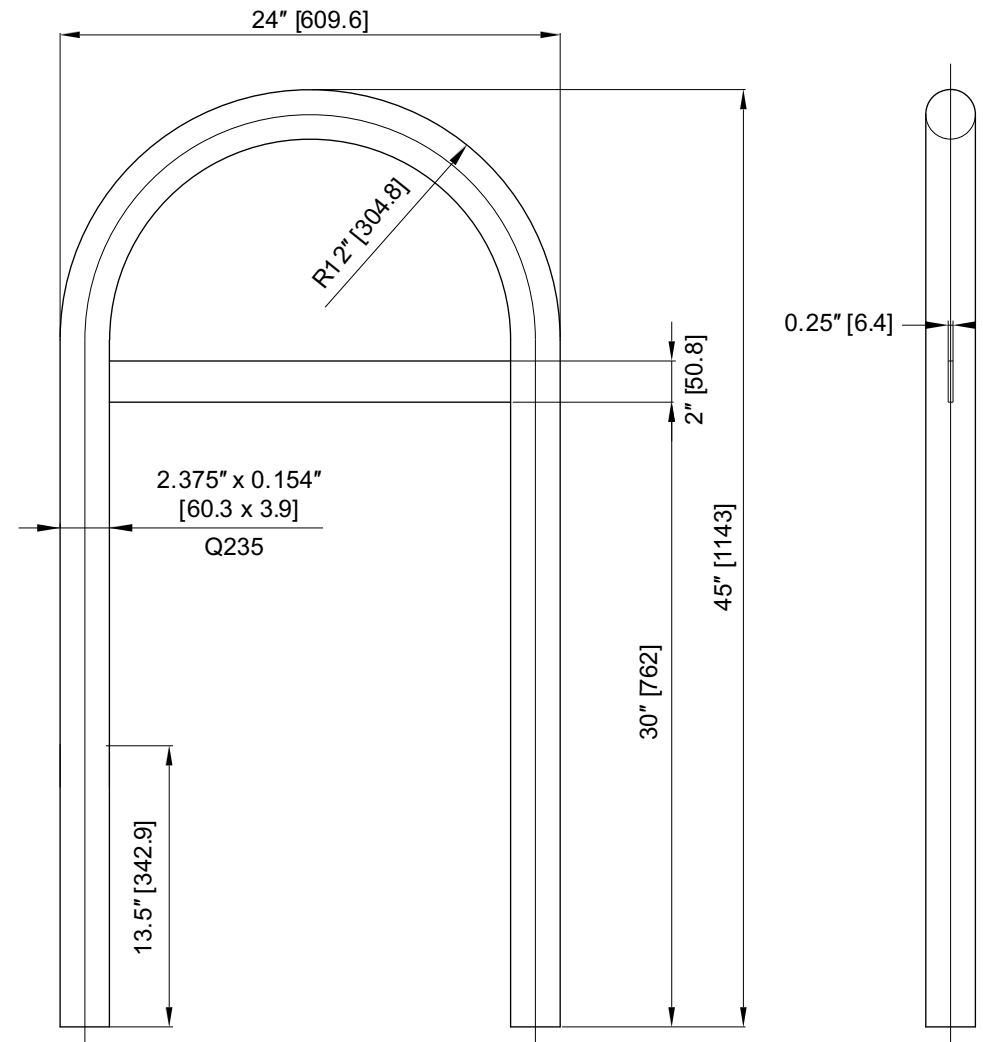
OPTION

- Tamper proof nuts
- Customizable cross bar

SPACING REQUIREMENTS

For recommendations and details on clearances and aisle widths please refer to the [APBP Bicycle Parking Guide](#) or your local ordinances and guidelines.

Drawings are for information purposes only and while accurate at the time of creation, Kinetic Parking Solutions, Inc. must confirm its accuracy prior to submission.



EZ-U™ Horizontal Narrow Rack

PRODUCT CODE

10101045

CAPACITY

2 Bikes

MATERIALS

Square Steel Tube
1.97" x 1.97" (50 mm x 50 mm)

THICKNESS

0.189" (4.8 mm)

WEIGHT

34.17 lbs. (15.5 kg)

FINISHES

- Powder Coated ANY STANDARD RAL
- Galvanized 10101048
- Stainless 10101049

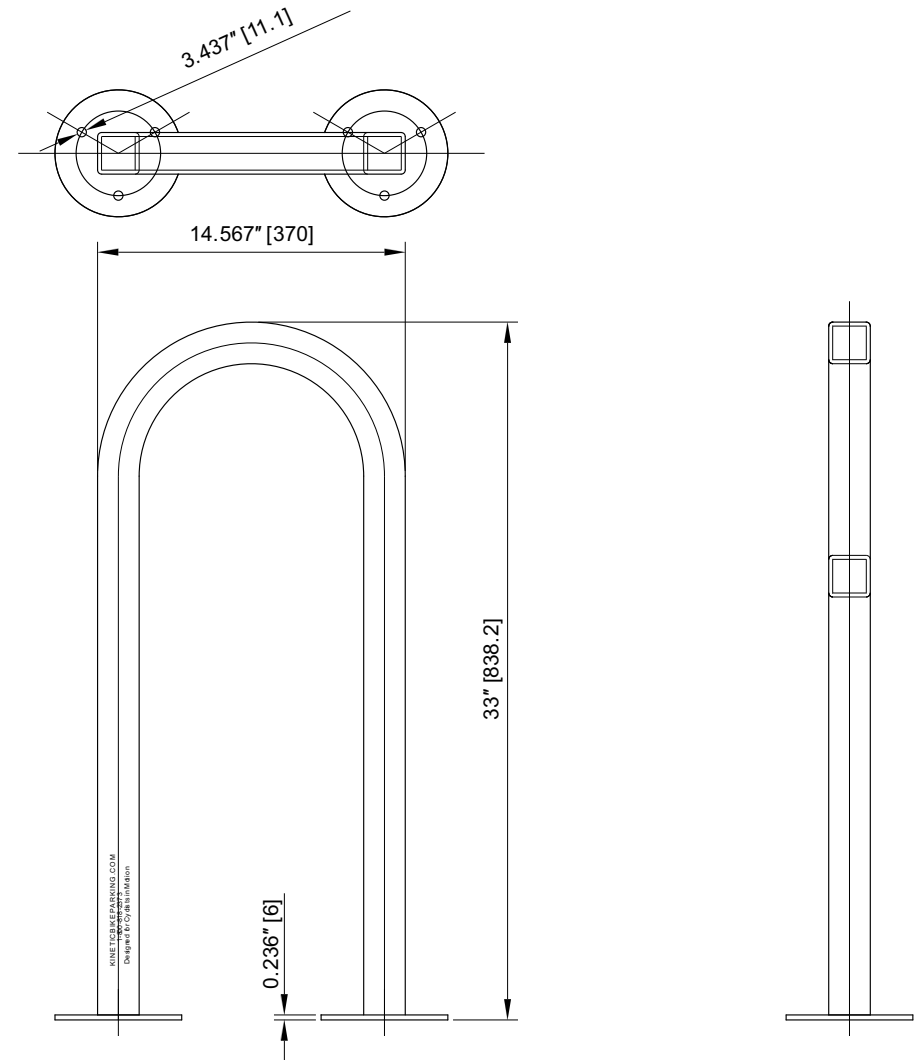
OPTION

- Tamper proof nuts

SPACING REQUIREMENTS

For recommendations and details on clearances and aisle widths please refer to the [APBP Bicycle Parking Guide](#) or your local ordinances and guidelines.

Drawings are for information purposes only and while accurate at the time of creation, Kinetic Parking Solutions, Inc. must confirm its accuracy prior to submission.



EZ-U™ Horizontal Narrow Rack & Crossbar

PRODUCT CODE

10101050

CAPACITY

2 Bikes

MATERIALS

Square Steel Tube
1.97" x 1.97" (50 mm x 50 mm)

THICKNESS

0.189" (4.8 mm)

WEIGHT

35.24 lbs. (16.0 kg)

FINISHES

- Powder Coated ANY STANDARD RAL
- Galvanized 10101053
- Stainless 10101054

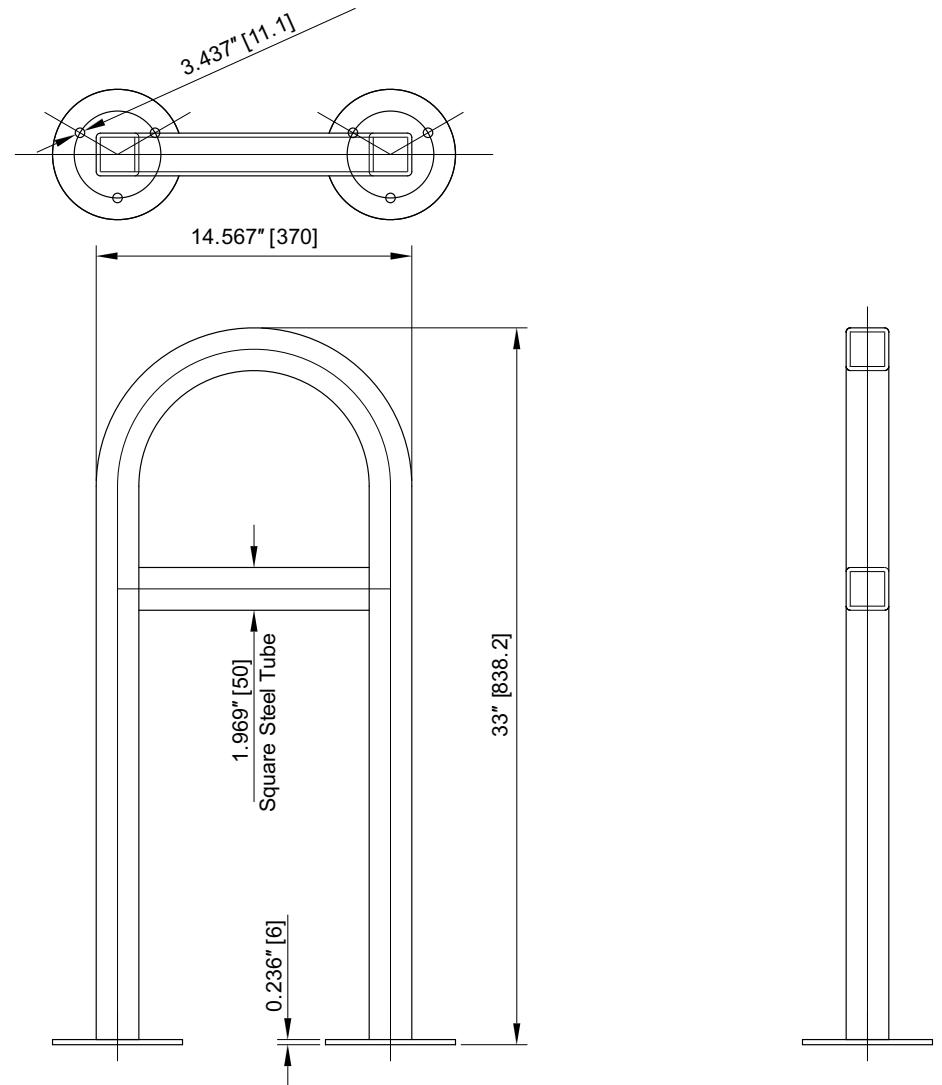
OPTION

- Tamper proof nuts
- Customizable cross bar

SPACING REQUIREMENTS

For recommendations and details on clearances and aisle widths please refer to the [APBP Bicycle Parking Guide](#) or your local ordinances and guidelines.

Drawings are for information purposes only and while accurate at the time of creation, Kinetic Parking Solutions, Inc. must confirm its accuracy prior to submission.



EZ-U™ Wall Handle Rack

MATERIALS

Round Steel Pipe
1.9" OD (Ø 48.3 mm)

THICKNESS

0.125" (3.2 mm)

WEIGHT

13.23 lbs. (6.0 kg)

FINISHES

- Powder Coated ANY STANDARD RAL
- Galvanized
- Stainless

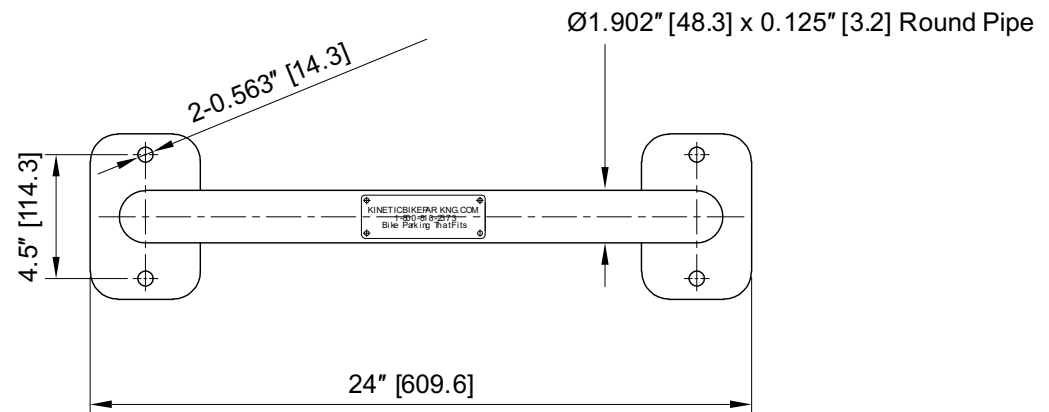
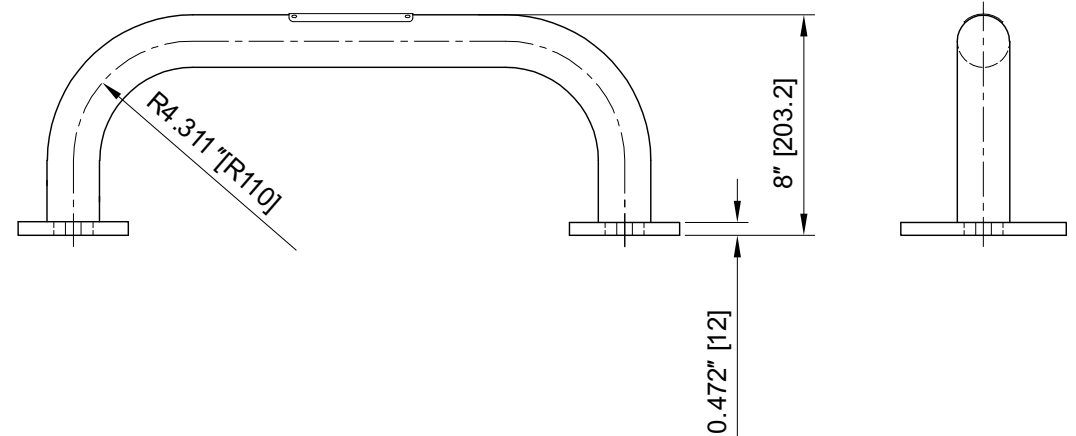
OPTION

- Tamper proof nuts

SPACING REQUIREMENTS

For recommendations and details on clearances and aisle widths please refer to the [APBP Bicycle Parking Guide](#) or your local ordinances and guidelines.

Drawings are for information purposes only and while accurate at the time of creation, Kinetic Parking Solutions, Inc. must confirm its accuracy prior to submission.



EZ-Circle™ Horizontal Rack

PRODUCT CODE

10101090

CAPACITY

2 Bikes per unit

MATERIALS

Square Steel Tube
1.97" x 1.97" (50 mm x 50 mm)

THICKNESS

0.189" (4.8 mm)

WEIGHT

33 lbs. (14.97 kg)

FINISHES

- Powder Coated ANY STANDARD RAL
- Galvanized
- Stainless

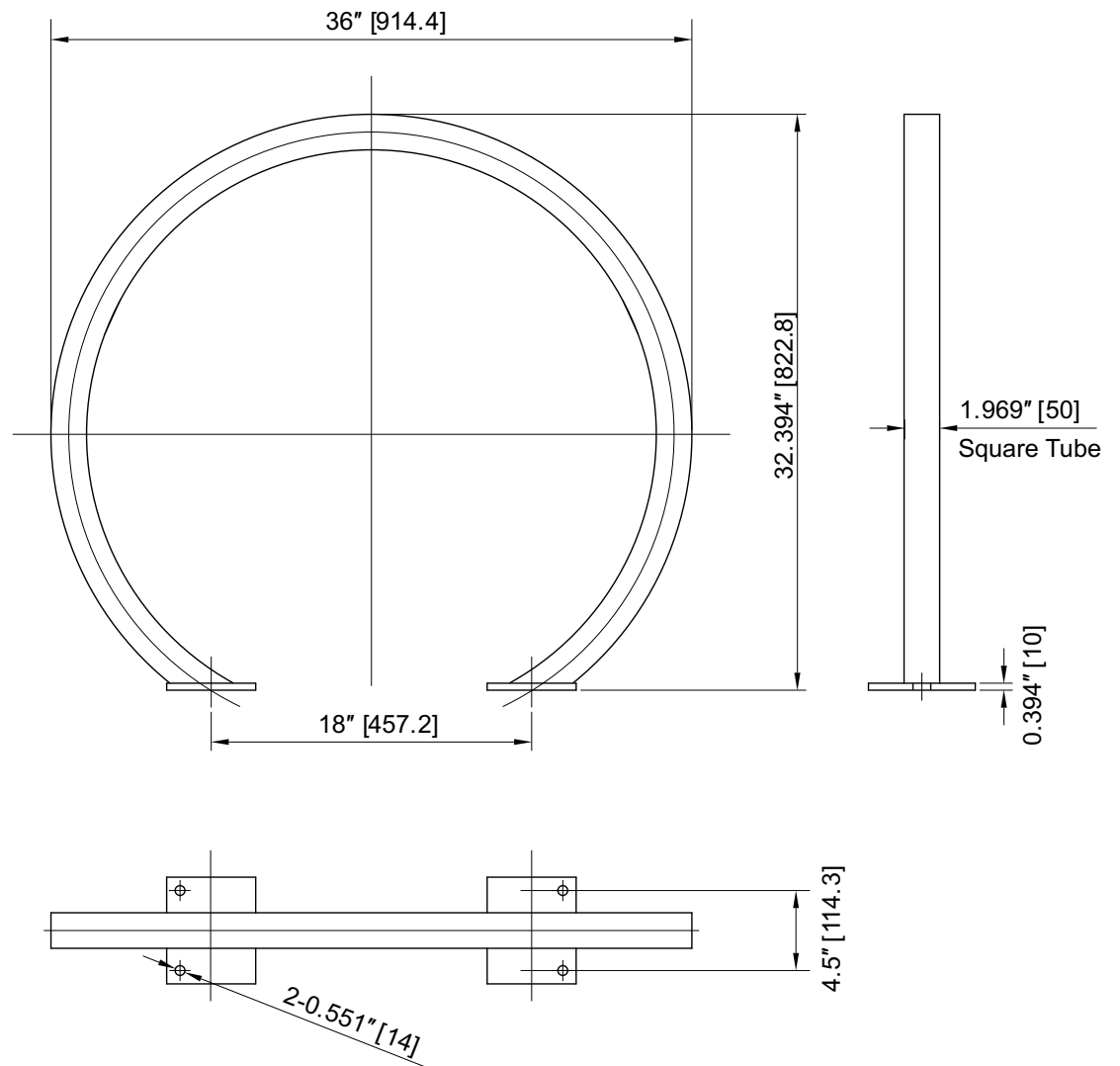
OPTION

- Tamper proof nuts

SPACING REQUIREMENTS

For recommendations and details on clearances and aisle widths please refer to the [APBP Bicycle Parking Guide](#) or your local ordinances and guidelines.

Drawings are for information purposes only and while accurate at the time of creation, Kinetic Parking Solutions, Inc. must confirm its accuracy prior to submission.



EZ-Circle™ Horizontal Rack & Cross Bar

PRODUCT CODE

10101095

CAPACITY

2 Bikes per unit

MATERIALS

Square Steel Tube
1.97" x 1.97" (50 mm x 50 mm)

THICKNESS

0.189" (4.8 mm)

WEIGHT

34.15 lbs. (15.5 kg)

FINISHES

- Powder Coated ANY STANDARD RAL
- Galvanized
- Stainless

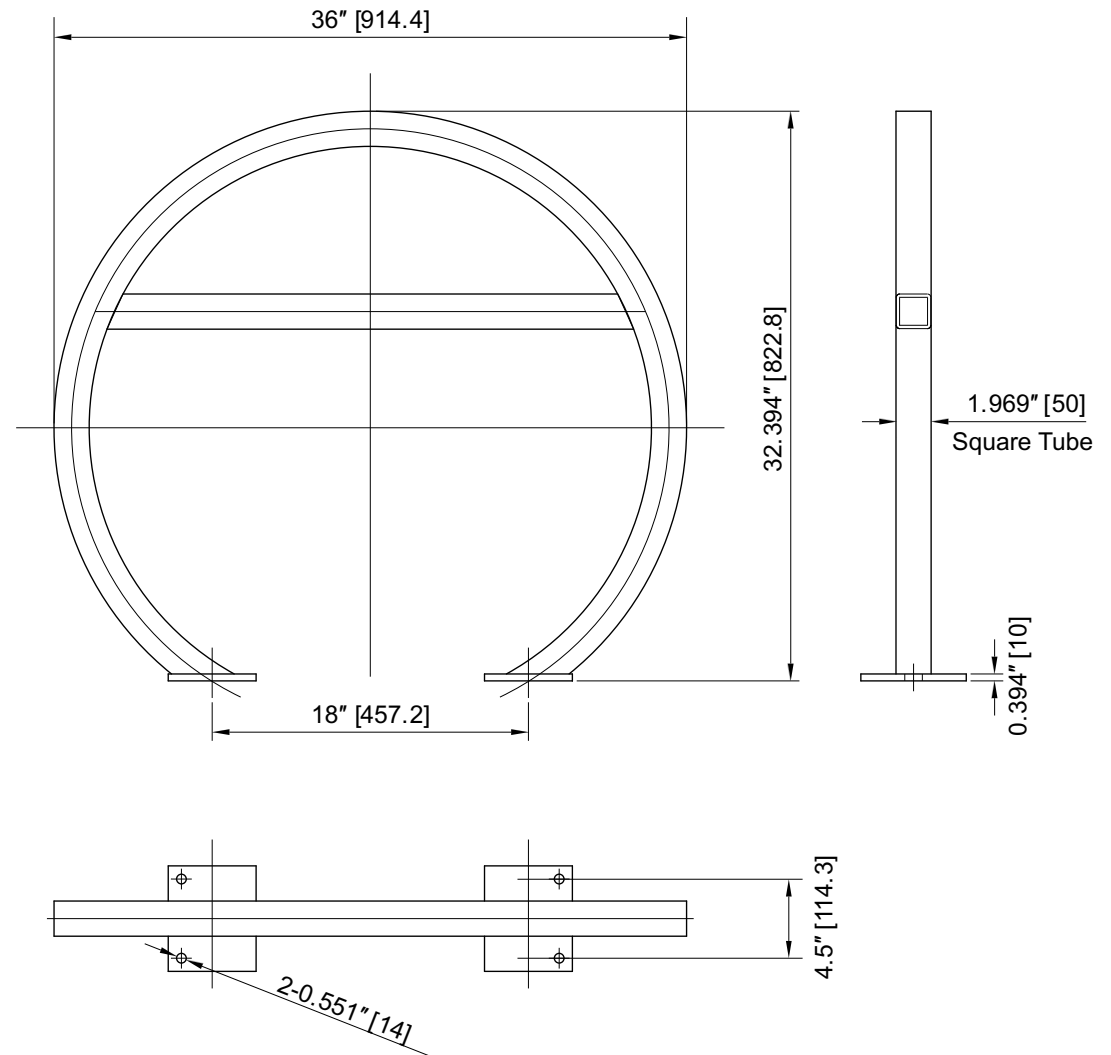
OPTIONS

- Tamper proof nuts
- Customizable cross bar

SPACING REQUIREMENTS

For recommendations and details on clearances and aisle widths please refer to the [APBP Bicycle Parking Guide](#) or your local ordinances and guidelines.

Drawings are for information purposes only and while accurate at the time of creation, Kinetic Parking Solutions, Inc. must confirm its accuracy prior to submission.



EZ-Density™ High Rack

PRODUCT CODE

10101299

CAPACITY

1 Bike per unit

MATERIALS

Steel

WEIGHT

21.61 lbs. (9.8 kg)

FINISHES

- Powder Coated ANY STANDARD RAL
- Galvanized

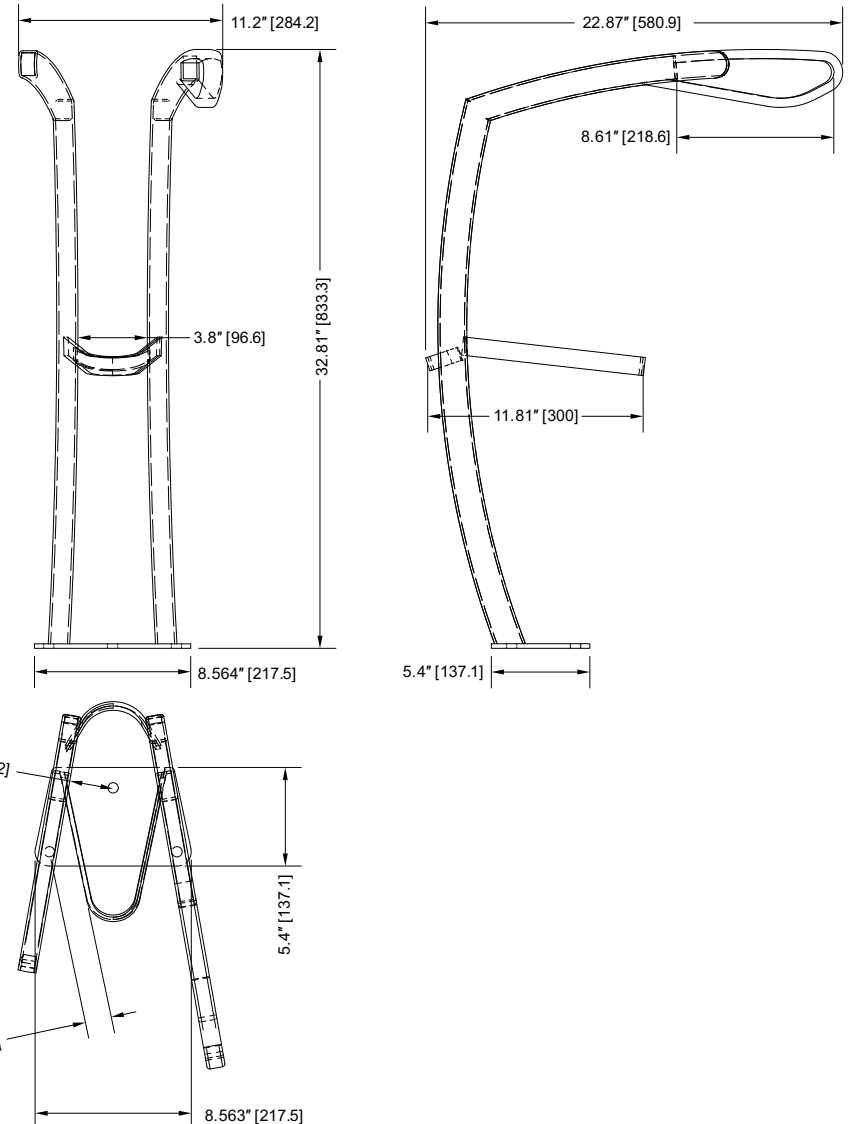
OPTIONS

- Tamper proof nuts
- Fat tire design

SPACING REQUIREMENTS

For recommendations and details on clearances and aisle widths please refer to the [APBP Bicycle Parking Guide](#) or your local ordinances and guidelines.

Drawings are for information purposes only and while accurate at the time of creation, Kinetic Parking Solutions, Inc. must confirm its accuracy prior to submission.



EZ-Density™ Low Rack

PRODUCT CODE

10101298

CAPACITY

1 Bike per unit

MATERIALS

Steel

WEIGHT

21.16 lbs. (9.6 kg)

FINISHES

- Powder Coated ANY STANDARD RAL
- Galvanized

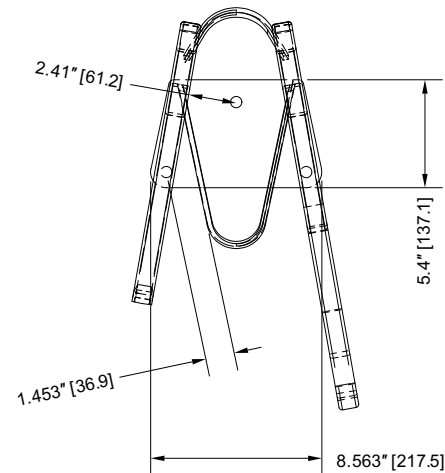
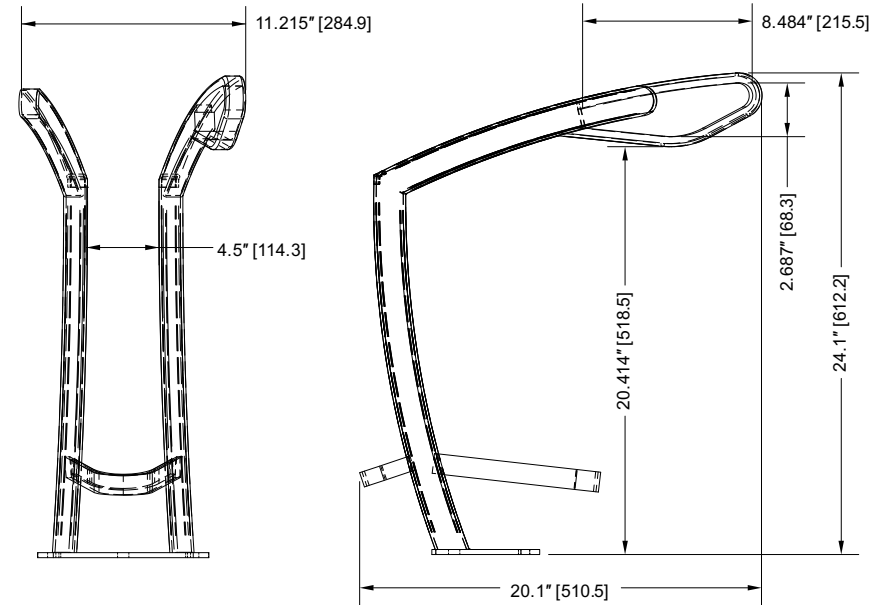
OPTIONS

- Tamper proof nuts
- Fat tire design

SPACING REQUIREMENTS

For recommendations and details on clearances and aisle widths please refer to the [APBP Bicycle Parking Guide](#) or your local ordinances and guidelines.

Drawings are for information purposes only and while accurate at the time of creation, Kinetic Parking Solutions, Inc. must confirm its accuracy prior to submission.



EZ-Staple™ Horizontal Portland Rack

PRODUCT CODE

10101005

CAPACITY

2 Bikes

MATERIALS

Round Steel Pipe
1.9" OD (Ø48.26 mm)

THICKNESS

0.145" (3.68 mm)

WEIGHT

26.46 lbs. (12.0 kg)

FINISHES

- Powder Coated ANY STANDARD RAL
- Galvanized 10101008
- Stainless

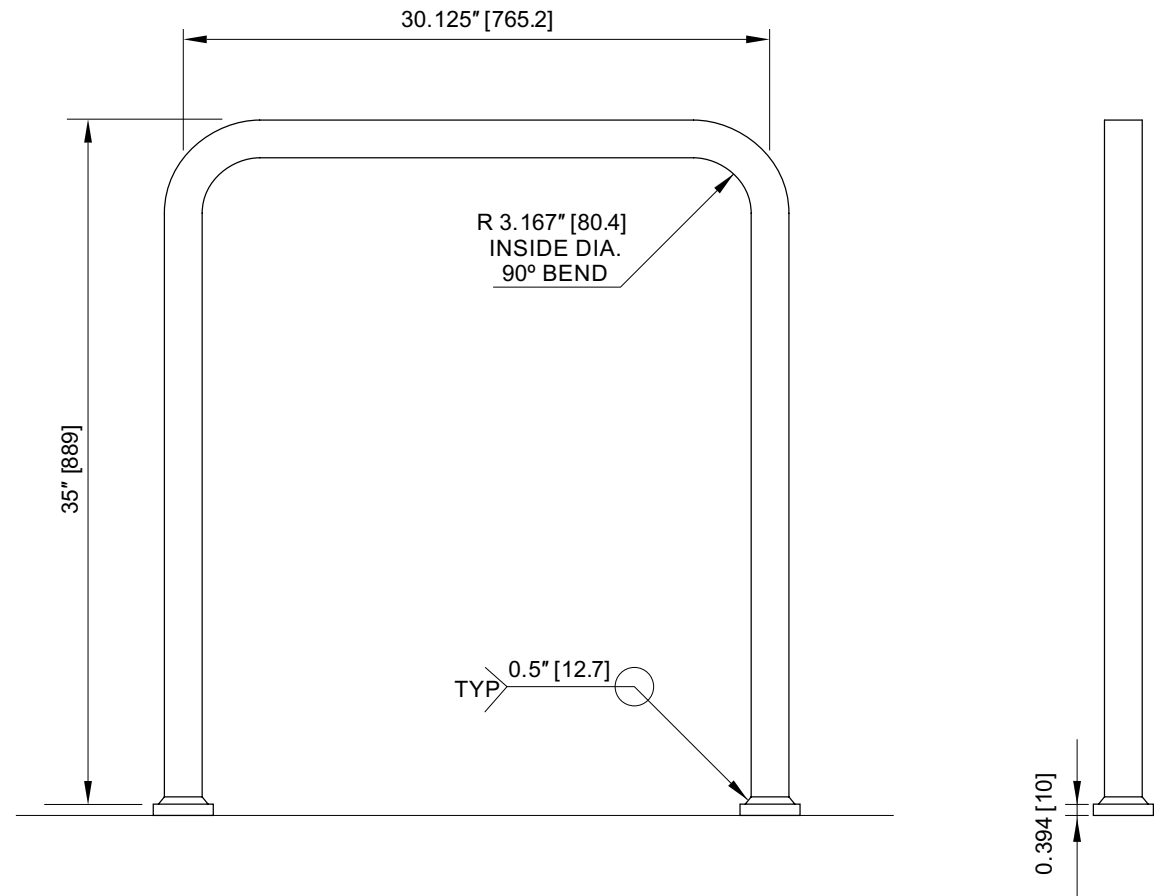
OPTIONS

- Tamper proof nuts
- Square tube

SPACING REQUIREMENTS

For recommendations and details on clearances and aisle widths please refer to the [APBP Bicycle Parking Guide](#) or your local ordinances and guidelines.

Drawings are for information purposes only and while accurate at the time of creation, Kinetic Parking Solutions, Inc. must confirm its accuracy prior to submission.



EZ-Staple™ Horizontal Portland Rack & Crossbar

PRODUCT CODE

10101010

CAPACITY

2 Bikes

MATERIALS

Round Steel Pipe
1.9" OD (Ø48.26 mm)

THICKNESS

0.145" (3.68 mm)

WEIGHT

30.86 lbs. (14.0 kg)

FINISHES

- Powder Coated ANY STANDARD RAL
- Galvanized 10101013
- Stainless

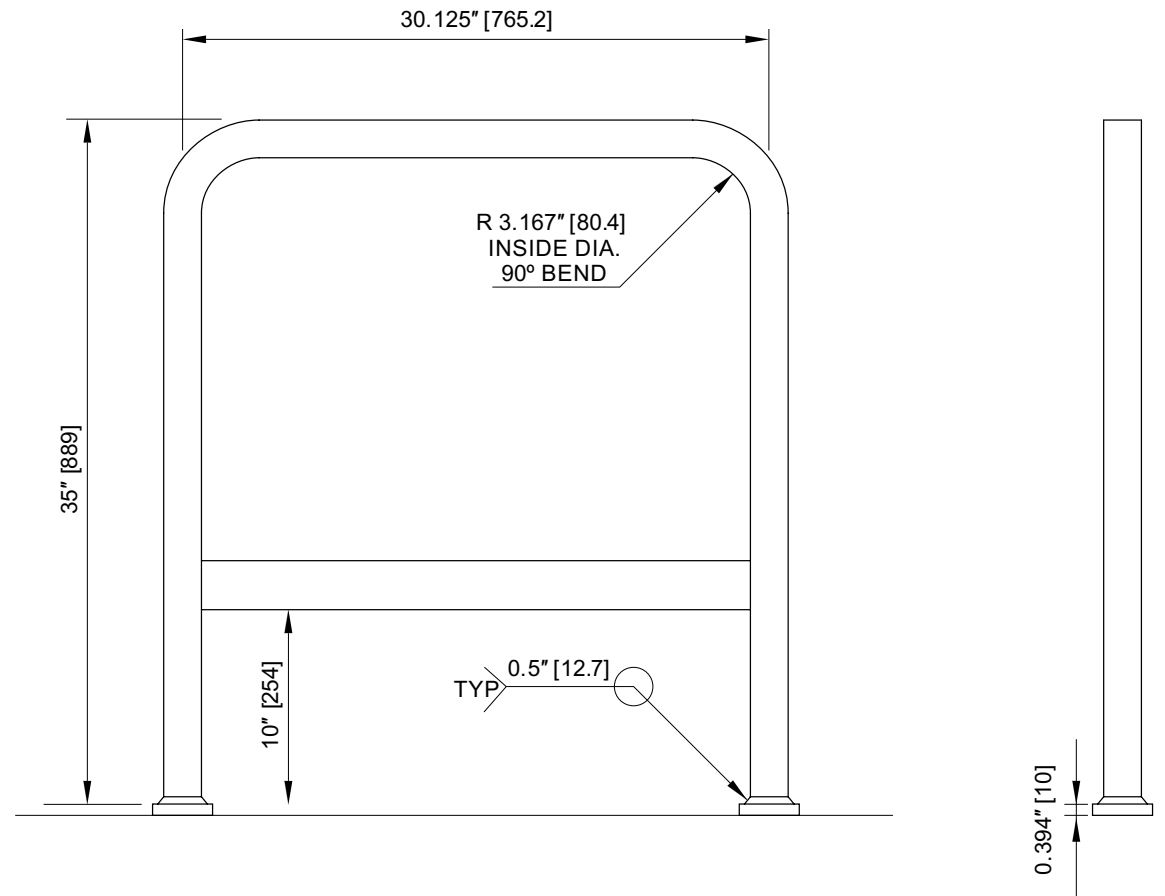
OPTIONS

- Tamper proof nuts
- Square tube
- Customizable cross bar

SPACING REQUIREMENTS

For recommendations and details on clearances and aisle widths please refer to the [APBP Bicycle Parking Guide](#) or your local ordinances and guidelines.

Drawings are for information purposes only and while accurate at the time of creation, Kinetic Parking Solutions, Inc. must confirm its accuracy prior to submission.



EZ-Staple™ Horizontal Portland Security Rack

PRODUCT CODE

10101015

CAPACITY

2 Bikes

MATERIALS

Round Steel Pipe
1.9" OD (Ø48.26 mm)

THICKNESS

0.145" (3.68 mm)

WEIGHT

30.86 lbs. (14.0 kg)

FINISHES

- Powder Coated ANY STANDARD RAL
- Galvanized
- Stainless

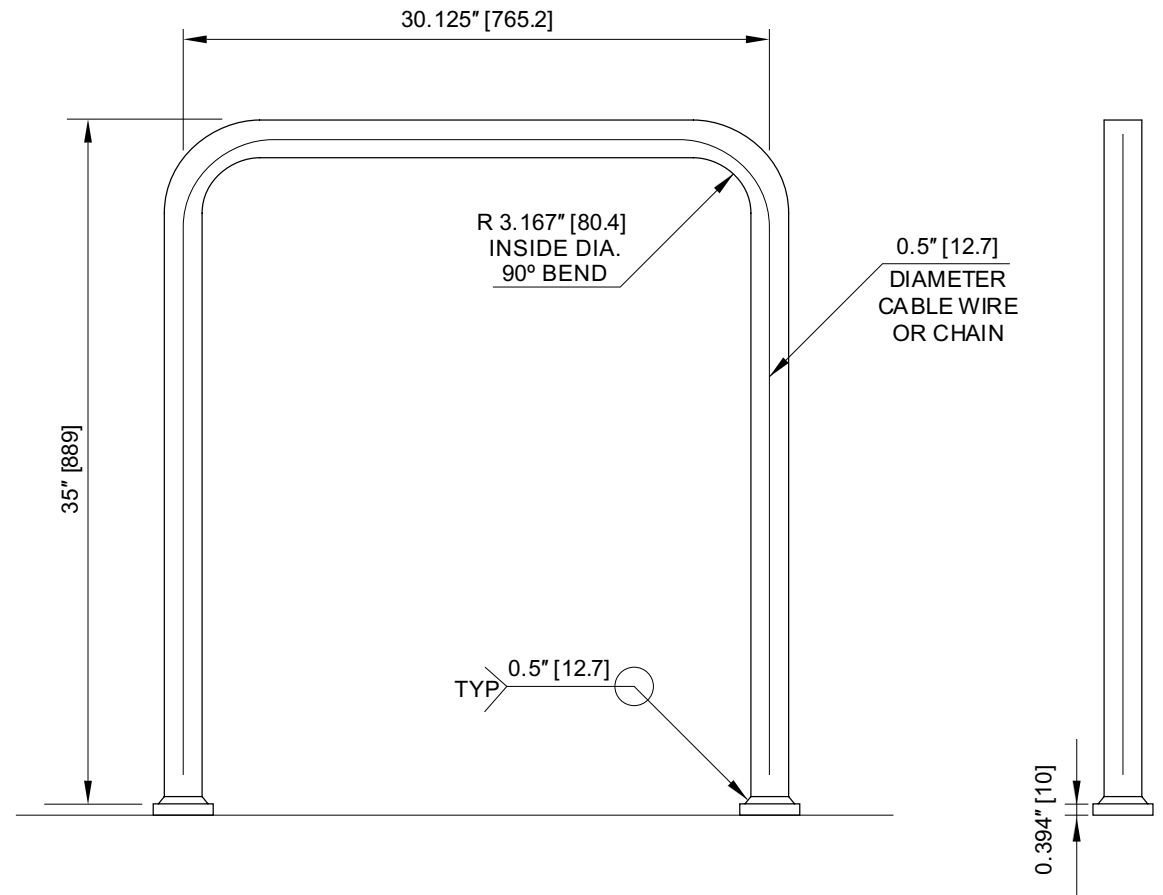
OPTIONS

- Tamper proof nuts
- Square tube

SPACING REQUIREMENTS

For recommendations and details on clearances and aisle widths please refer to the [APBP Bicycle Parking Guide](#) or your local ordinances and guidelines.

Drawings are for information purposes only and while accurate at the time of creation, Kinetic Parking Solutions, Inc. must confirm its accuracy prior to submission.



EZ-Staple™ Horizontal Portland Security Rack & Bar

PRODUCT CODE

10101020

CAPACITY

2 Bikes

MATERIALS

Round Steel Pipe
1.9" OD (Ø48.26 mm)

THICKNESS

0.145" (3.68 mm)

WEIGHT

35.49 lbs. (16.1 kg)

FINISHES

- Powder Coated ANY STANDARD RAL
- Galvanized 10101023
- Stainless 10101024

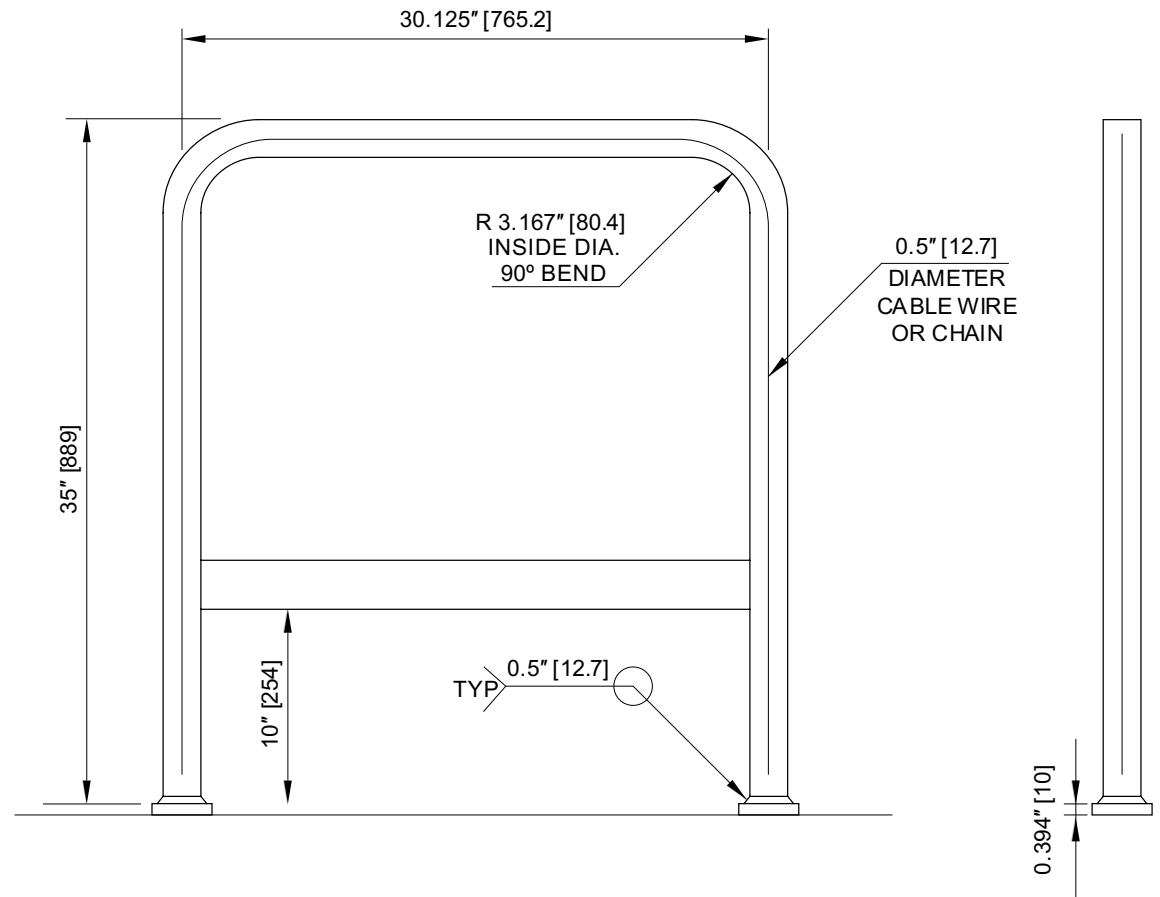
OPTIONS

- Tamper proof nuts
- Square tube
- Customizable cross bar

SPACING REQUIREMENTS

For recommendations and details on clearances and aisle widths please refer to the [APBP Bicycle Parking Guide](#) or your local ordinances and guidelines.

Drawings are for information purposes only and while accurate at the time of creation, Kinetic Parking Solutions, Inc. must confirm its accuracy prior to submission.



EZ-Staple™ Long Horizontal Rack & Crossbar

PRODUCT CODE

10101408

CAPACITY

2 Bikes

MATERIALS

Round Steel Pipe
2 3/8" OD (Ø60.3 mm)

THICKNESS

0.154" (3.91 mm)

WEIGHT

46.3 lbs. (21 kg)

FINISHES

- Powder Coated ANY STANDARD RAL
- Galvanized 10101411
- Stainless 10101412

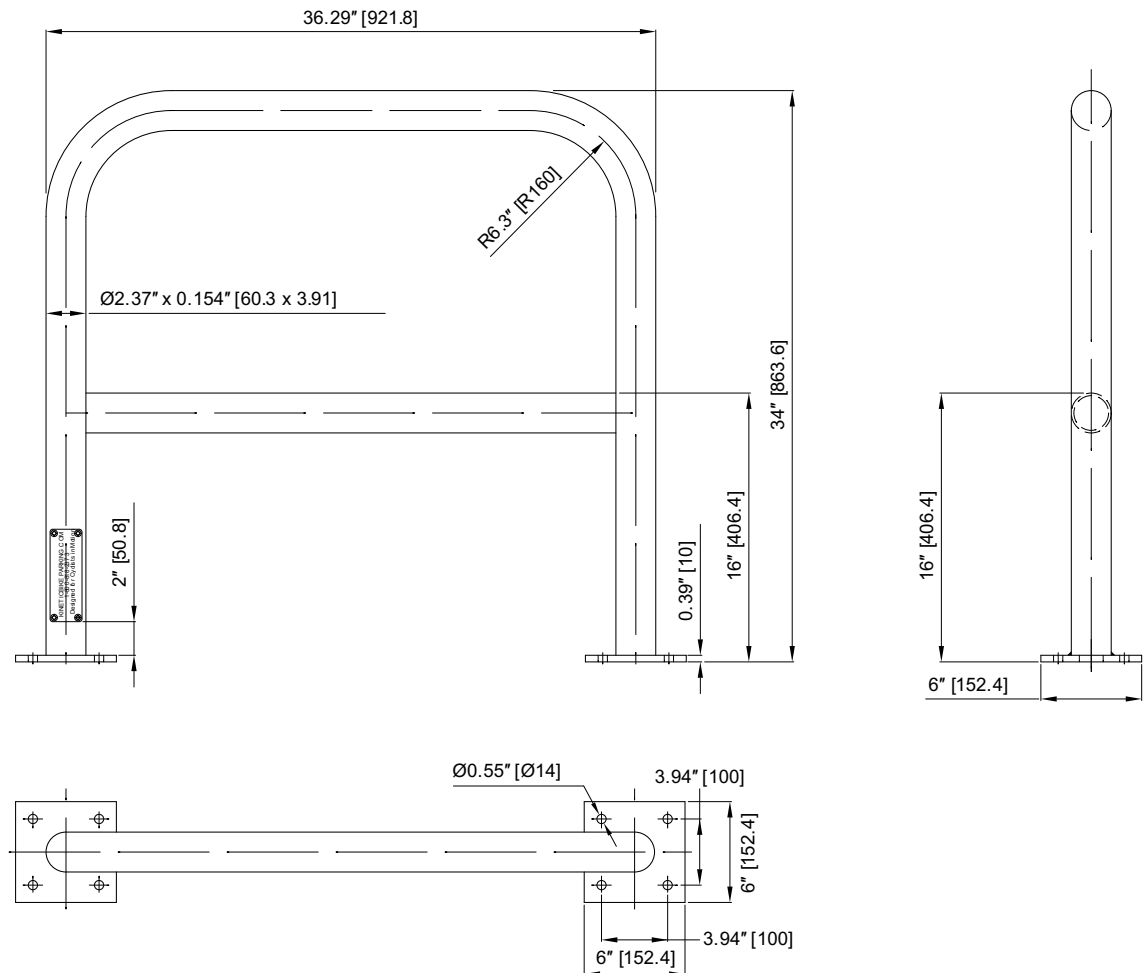
OPTION

- Tamper proof nuts
- Customizable cross bar

SPACING REQUIREMENTS

For recommendations and details on clearances and aisle widths please refer to the [APBP Bicycle Parking Guide](#) or your local ordinances and guidelines.

Drawings are for information purposes only and while accurate at the time of creation, Kinetic Parking Solutions, Inc. must confirm its accuracy prior to submission.



EZ-Staple™ Rainier Rack

PRODUCT CODE

10101065

CAPACITY

2 Bikes

MATERIALS

Round Steel Pipe
1.626" OD (Ø41.3 mm)

THICKNESS

0.09" (2.3 mm)

WEIGHT

18.74 lbs. (8.5 kg)

FINISHES

- Powder Coated ANY STANDARD RAL

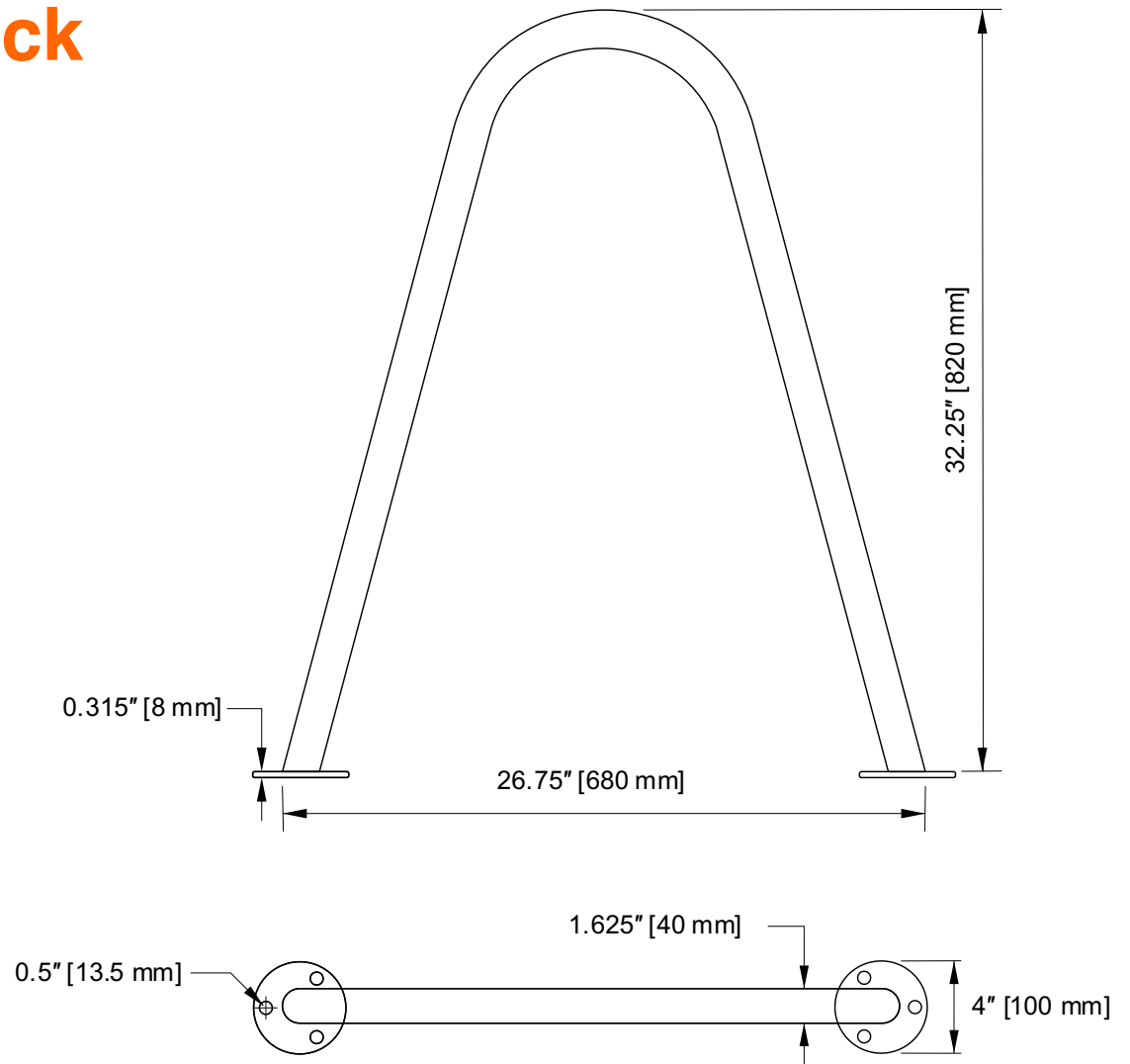
OPTIONS

- Tamper proof nuts

SPACING REQUIREMENTS

For recommendations and details on clearances and aisle widths please refer to the [APBP Bicycle Parking Guide](#) or your local ordinances and guidelines.

Drawings are for information purposes only and while accurate at the time of creation, Kinetic Parking Solutions, Inc. must confirm its accuracy prior to submission.



EZ-Hitch™ Horizontal Rack

PRODUCT CODE

10101085

CAPACITY

2 Bikes

MATERIALS

Square Steel Tube
0.97" x 0.97" (50 mm x 50 mm)

THICKNESS

0.189" (4.8 mm)

WEIGHT

56.2 lbs. (25.5 kg)

FINISHES

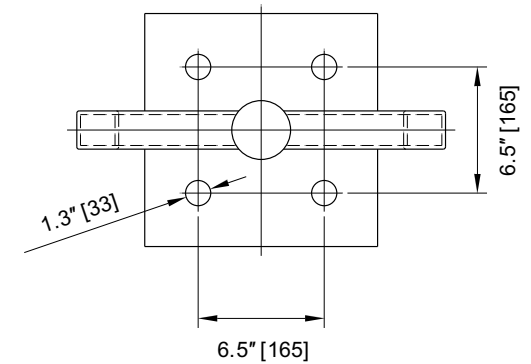
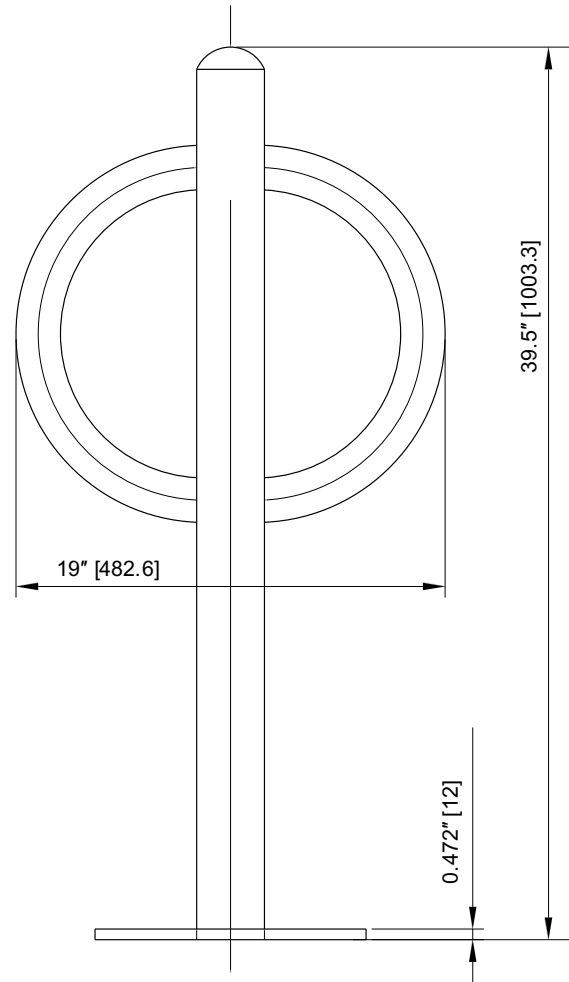
- Powder Coated ANY STANDARD RAL
- Galvanized
- Stainless

OPTION

- Tamper proof nuts

SPACING REQUIREMENTS

For recommendations and details on clearances and aisle widths please refer to the [APBP Bicycle Parking Guide](#) or your local ordinances and guidelines.



Drawings are for information purposes only and while accurate at the time of creation, Kinetic Parking Solutions, Inc. must confirm its accuracy prior to submission.