

# EZ-Lift™ 18 High Density Transversal Rack

## PRODUCT CODE

10101411 Transversal Straight Top Tray

## CAPACITY

6 Bikes per set (upper/lower)

*NOTE: drawings show 3 bikes on top, 3 bikes on bottom*

## MATERIALS

Steel & Aluminum

## LIFT ASSIST

Gas Strut: 30,000 movements

## FINISHES

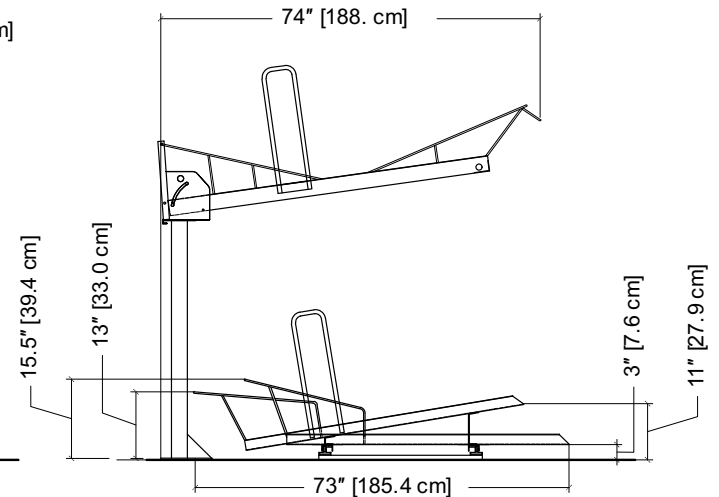
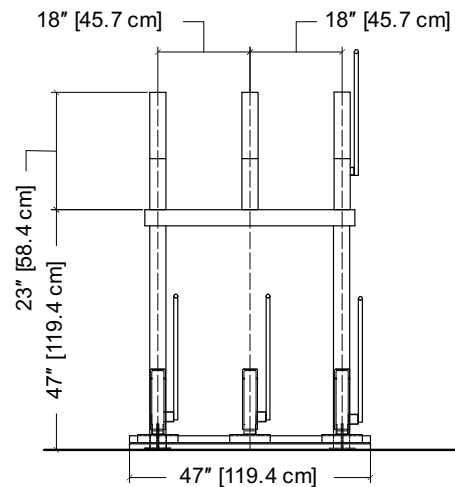
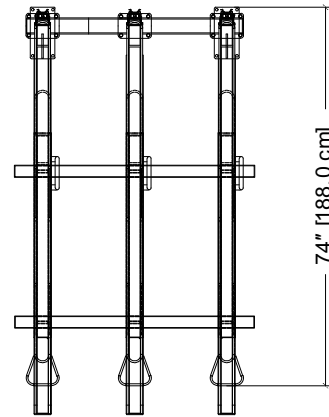
- Powder Coated ANY STANDARD RAL
- Galvanized

## OPTIONS

- Additional locking bar
- Customizable on center distance \_\_\_\_\_

## SPACING REQUIREMENTS

For recommendations and details on clearances and aisle widths please refer to the [APBP Bicycle Parking Guide](#) or your local ordinances and guidelines.



Drawings are for information purposes only and while accurate at the time of creation, Kinetic Parking Solutions, Inc. must confirm its accuracy prior to submission.