

# EZ-Lift™ Euro 40 Two-Tier Rack

## PRODUCT CODES

10101402 Powder Coated  
10101406 Galvanized

## CAPACITY

1 Bike per Tray / 2 Bikes per Set

## MATERIALS

Steel

## LIFT ASSIST

Vapsint© gas strut: 20,000 movements

## FINISHES

- Powder Coated ANY STANDARD RAL
- Galvanized
- Gas Spring Cover ANY STANDARD RAL

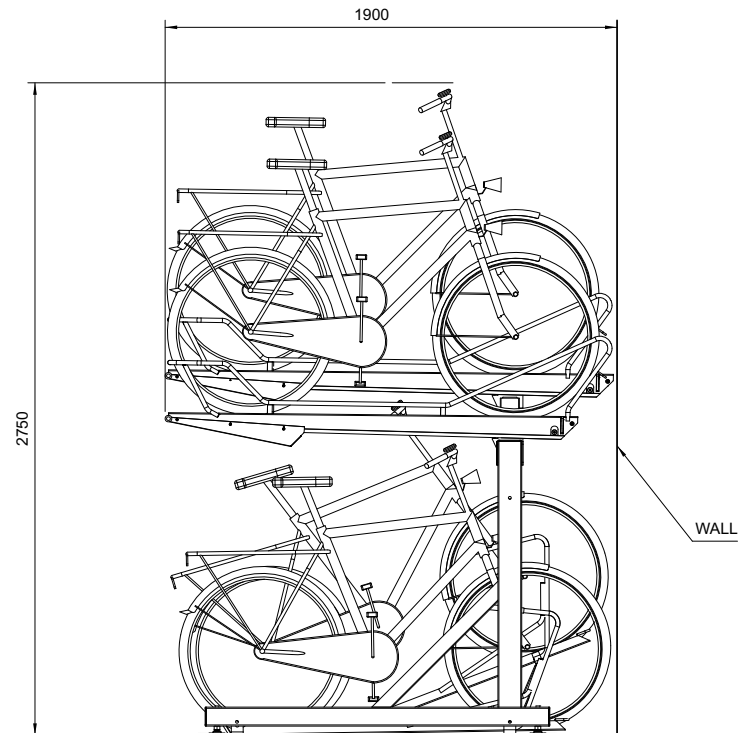
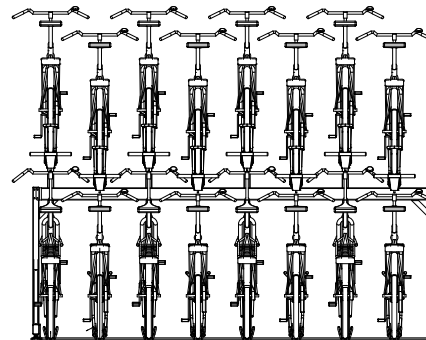
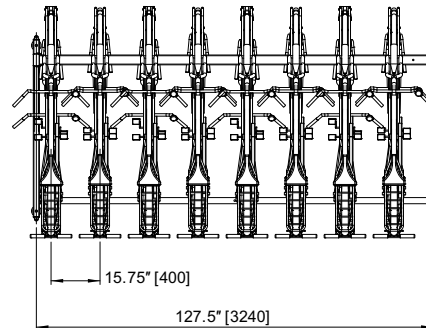
## OPTIONS

- Customizable on center distance \_\_\_\_\_
- Ground Mounted or Free Standing
- Lower Tier Charging Points for e-Bikes 10101409

## SPACING REQUIREMENTS

For recommendations and details on clearances and aisle widths please refer to the [APBP Bicycle Parking Guide](#) or your local ordinances and guidelines.

Drawings are for information purposes only and while accurate at the time of creation, Kinetic Parking Solutions, Inc. must confirm its accuracy prior to submission.



# EZ-Lift™ Euro 45 Two-Tier Rack

## PRODUCT CODES

10101402 Powder Coated  
10101406 Galvanized

## CAPACITY

1 Bike per Tray / 2 Bikes per Set

## MATERIALS

Steel

## LIFT ASSIST

Vapsint© gas strut: 20,000 movements

## FINISHES

- Powder Coated ANY STANDARD RAL
- Galvanized
- Gas Spring Cover ANY STANDARD RAL

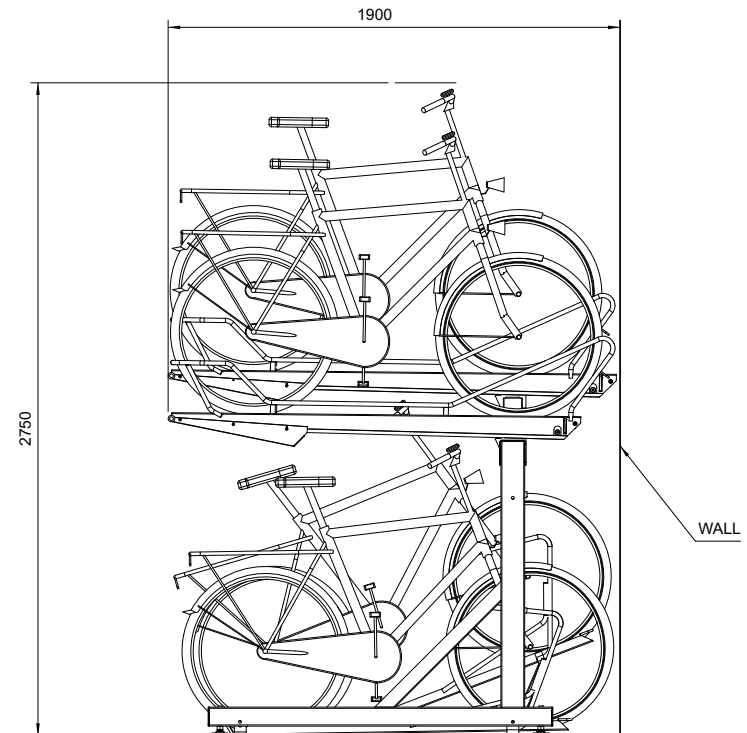
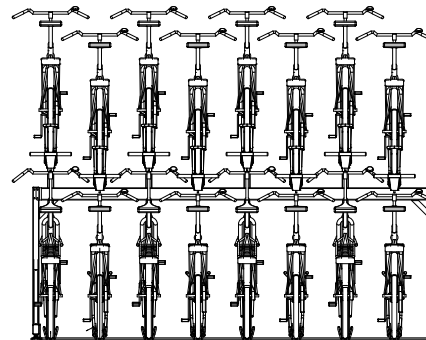
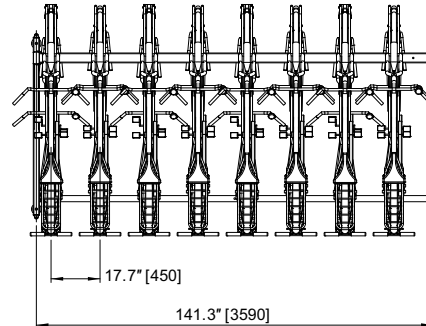
## OPTIONS

- Customizable on center distance \_\_\_\_\_
- Ground Mounted or Free Standing
- Lower Tier Charging Points for e-Bikes 10101409

## SPACING REQUIREMENTS

For recommendations and details on clearances and aisle widths please refer to the [APBP Bicycle Parking Guide](#) or your local ordinances and guidelines.

Drawings are for information purposes only and while accurate at the time of creation, Kinetic Parking Solutions, Inc. must confirm its accuracy prior to submission.



# EZ-Lift™ Euro 50 Two-Tier Rack

## PRODUCT CODES

10101402 Powder Coated  
10101406 Galvanized

## CAPACITY

1 Bike per Tray / 2 Bikes per Set

## MATERIALS

Steel

## LIFT ASSIST

Vapsint© gas strut: 20,000 movements

## FINISHES

- Powder Coated ANY STANDARD RAL
- Galvanized
- Gas Spring Cover ANY STANDARD RAL

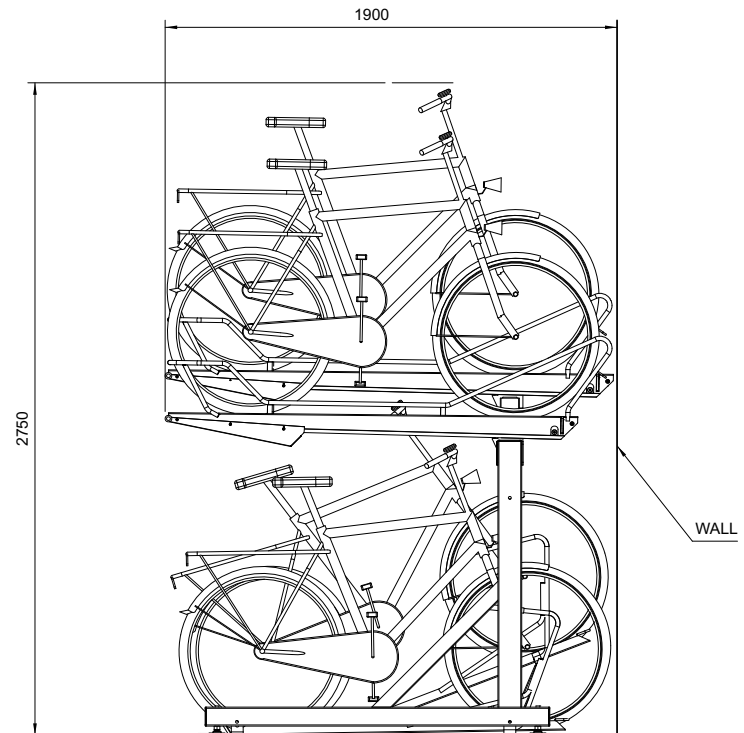
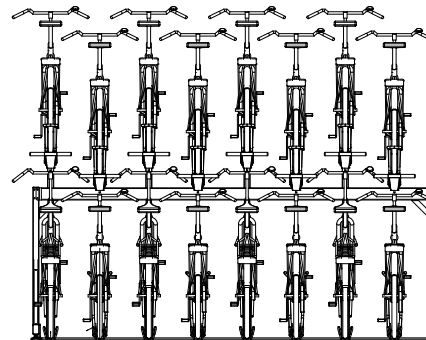
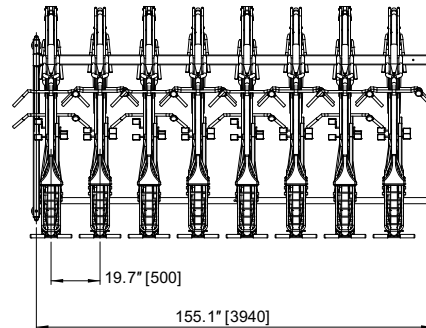
## OPTIONS

- Customizable on center distance \_\_\_\_\_
- Ground Mounted or Free Standing
- Lower Tier Charging Points for e-Bikes 10101409

## SPACING REQUIREMENTS

For recommendations and details on clearances and aisle widths please refer to the [APBP Bicycle Parking Guide](#) or your local ordinances and guidelines.

Drawings are for information purposes only and while accurate at the time of creation, Kinetic Parking Solutions, Inc. must confirm its accuracy prior to submission.



# EZ-Lift™ 17 Standard Rack

## PRODUCT CODES

10101348 Powder Coated  
10101349 Galvanized

## CAPACITY

2 Bikes per set (upper/lower)

*NOTE: drawings show 2 sets (4 bikes)*

## MATERIALS

Steel & Aluminum

## LIFT ASSIST

Gas Strut: 30,000 movements

## FINISHES

- Powder Coated ANY STANDARD RAL
- Galvanized

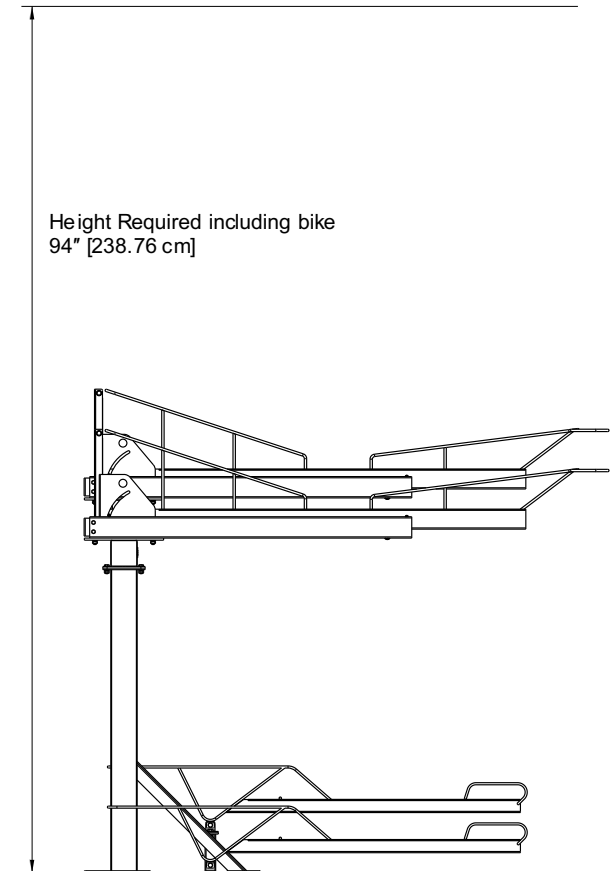
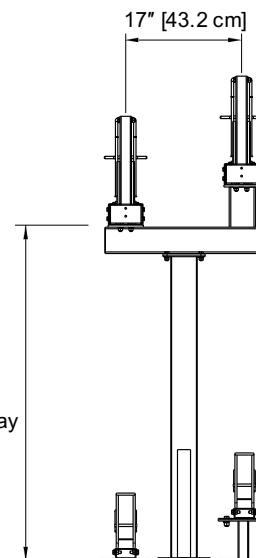
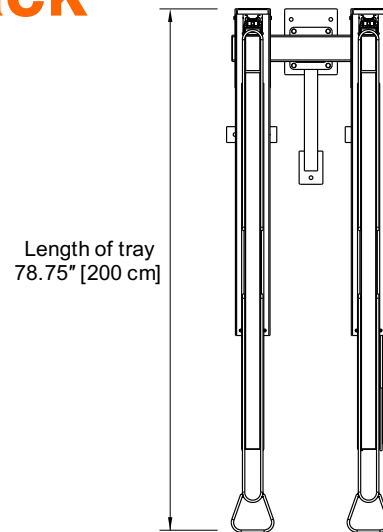
## OPTIONS

- Additional locking bar
- Customizable on center distance \_\_\_\_\_

## SPACING REQUIREMENTS

For recommendations and details on clearances and aisle widths please refer to the [APBP Bicycle Parking Guide](#) or your local ordinances and guidelines.

Drawings are for information purposes only and while accurate at the time of creation, Kinetic Parking Solutions, Inc. must confirm its accuracy prior to submission.



# EZ-Lift™ 18 Standard Rack

## PRODUCT CODES

10101348 Powder Coated  
10101349 Galvanized

## CAPACITY

2 Bikes per set (upper/lower)

*NOTE: drawings show 2 sets (4 bikes)*

## MATERIALS

Steel & Aluminum

## LIFT ASSIST

Gas Strut: 30,000 movements

## FINISHES

- Powder Coated ANY STANDARD RAL
- Galvanized

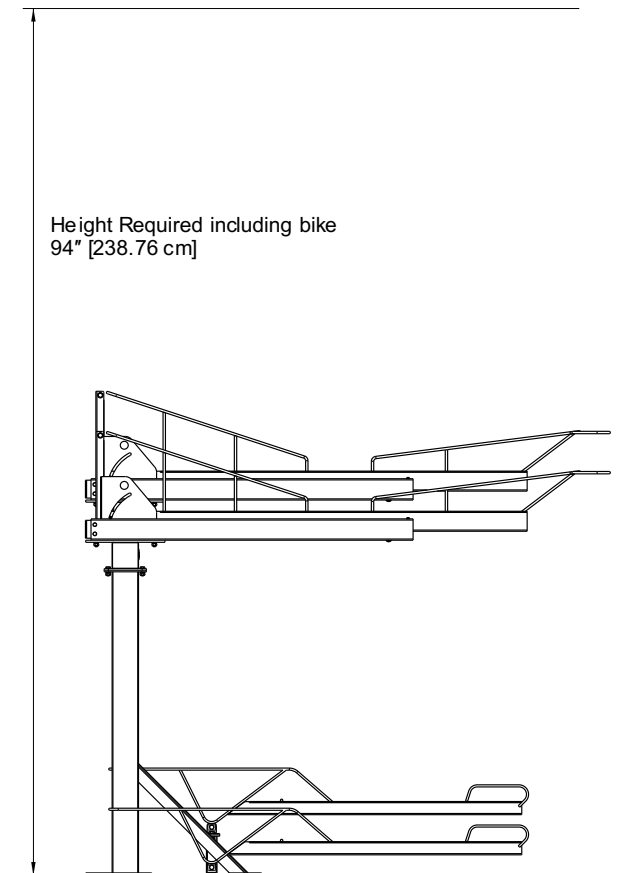
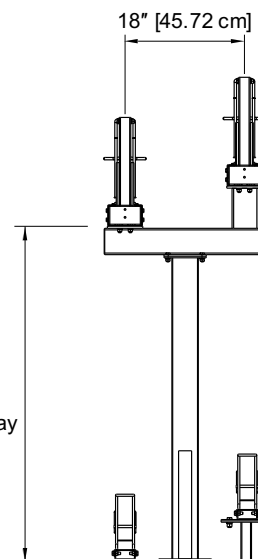
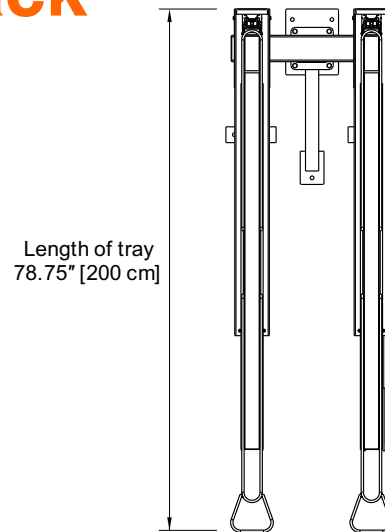
## OPTIONS

- Additional locking bar
- Customizable on center distance \_\_\_\_\_

## SPACING REQUIREMENTS

For recommendations and details on clearances and aisle widths please refer to the [APBP Bicycle Parking Guide](#) or your local ordinances and guidelines.

Drawings are for information purposes only and while accurate at the time of creation, Kinetic Parking Solutions, Inc. must confirm its accuracy prior to submission.



# EZ-Lift™ 24 Standard Rack

## PRODUCT CODES

10101348 Powder Coated  
10101349 Galvanized

## CAPACITY

2 Bikes per set (upper/lower)

*NOTE: drawings show 2 sets (4 bikes)*

## MATERIALS

Steel & Aluminum

## LIFT ASSIST

Gas Strut: 30,000 movements

## FINISHES

- Powder Coated ANY STANDARD RAL
- Galvanized

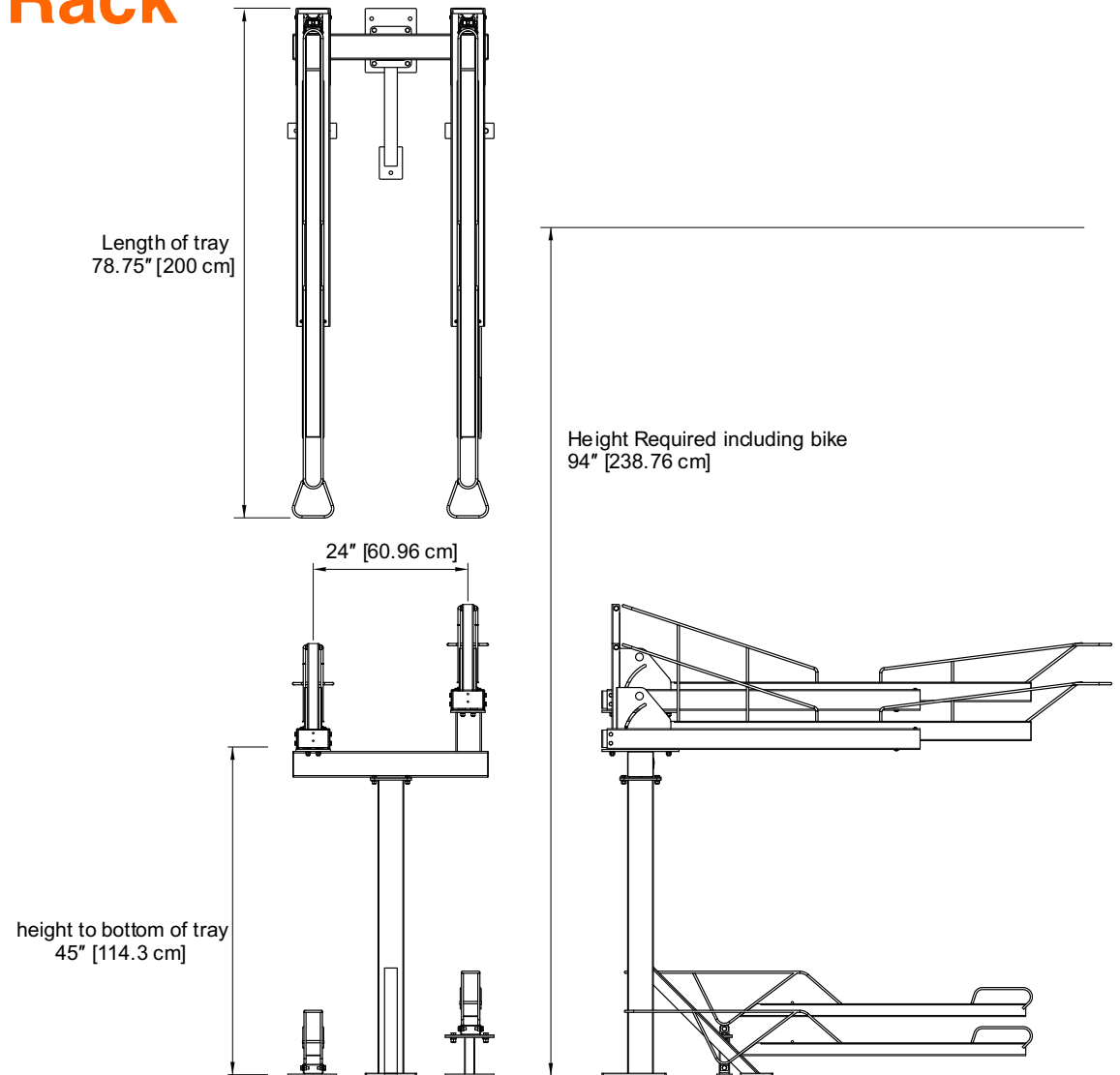
## OPTIONS

- Additional locking bar
- Customizable on center distance \_\_\_\_\_

## SPACING REQUIREMENTS

For recommendations and details on clearances and aisle widths please refer to the [APBP Bicycle Parking Guide](#) or your local ordinances and guidelines.

Drawings are for information purposes only and while accurate at the time of creation, Kinetic Parking Solutions, Inc. must confirm its accuracy prior to submission.



# EZ-Lift™ 17 High Density Swivel Rack

## PRODUCT CODES

10101405 Swivel Bottom Tray

## CAPACITY

2 Bikes per set (upper/lower)

*NOTE: drawings show 2 sets (4 bikes)*

## MATERIALS

Steel & Aluminum

## LIFT ASSIST

Gas Strut: 30,000 movements

## FINISHES

- Powder Coated ANY STANDARD RAL
- Galvanized

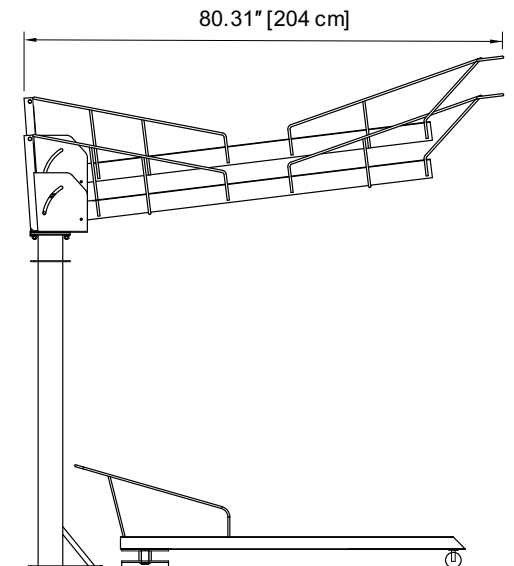
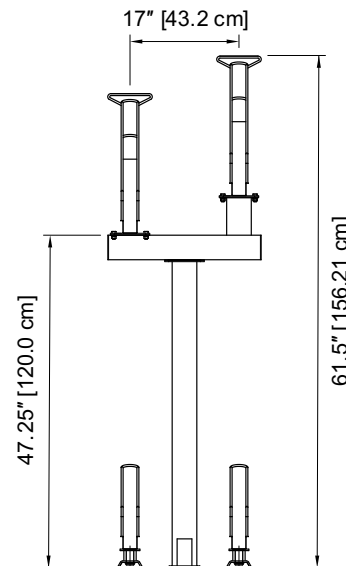
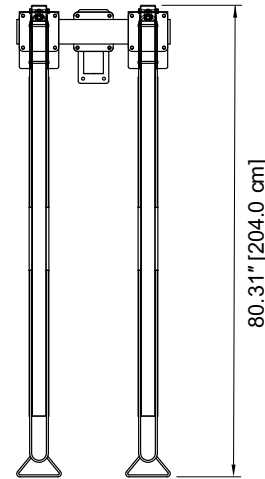
## OPTIONS

- Additional locking bar
- Customizable on center distance \_\_\_\_\_

## SPACING REQUIREMENTS

For recommendations and details on clearances and aisle widths please refer to the [APBP Bicycle Parking Guide](#) or your local ordinances and guidelines.

Drawings are for information purposes only and while accurate at the time of creation, Kinetic Parking Solutions, Inc. must confirm its accuracy prior to submission.



# EZ-Lift™ 18 High Density Swivel Rack

## PRODUCT CODES

10101405 Swivel Bottom Tray

## CAPACITY

2 Bikes per set (upper/lower)

*NOTE: drawings show 2 sets (4 bikes)*

## MATERIALS

Steel & Aluminum

## LIFT ASSIST

Gas Strut: 30,000 movements

## FINISHES

- Powder Coated ANY STANDARD RAL
- Galvanized

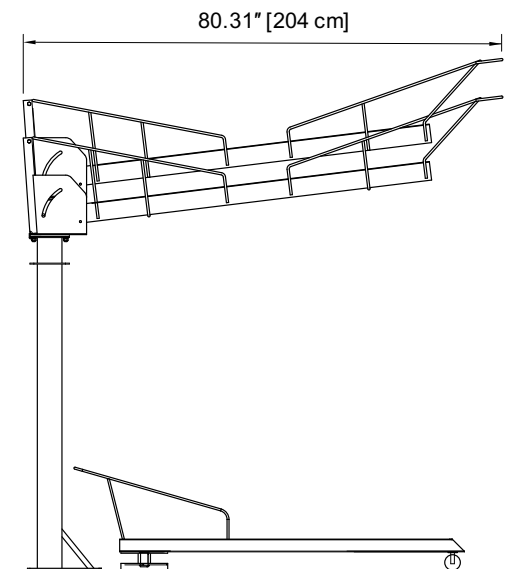
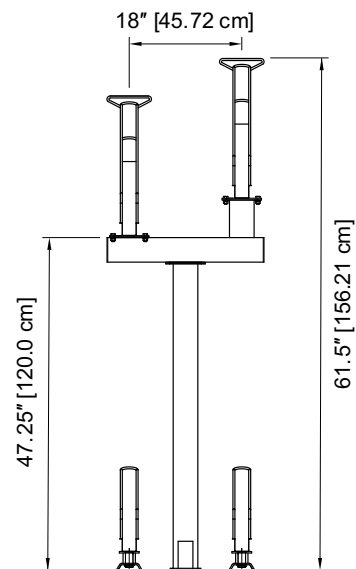
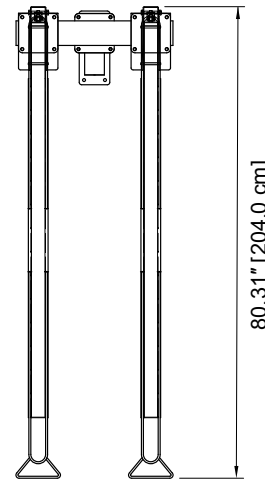
## OPTIONS

- Additional locking bar
- Customizable on center distance \_\_\_\_\_

## SPACING REQUIREMENTS

For recommendations and details on clearances and aisle widths please refer to the [APBP Bicycle Parking Guide](#) or your local ordinances and guidelines.

Drawings are for information purposes only and while accurate at the time of creation, Kinetic Parking Solutions, Inc. must confirm its accuracy prior to submission.





# EZ-Lift™ 24 High Density Swivel Rack

## PRODUCT CODES

10101405 Swivel Bottom Tray

## CAPACITY

2 Bikes per set (upper/lower)

*NOTE: drawings show 2 sets (4 bikes)*

## MATERIALS

Steel & Aluminum

## LIFT ASSIST

Gas Strut: 30,000 movements

## FINISHES

- Powder Coated ANY STANDARD RAL
- Galvanized

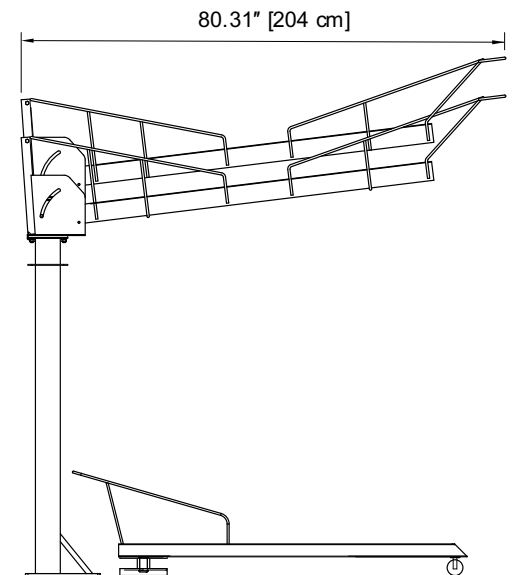
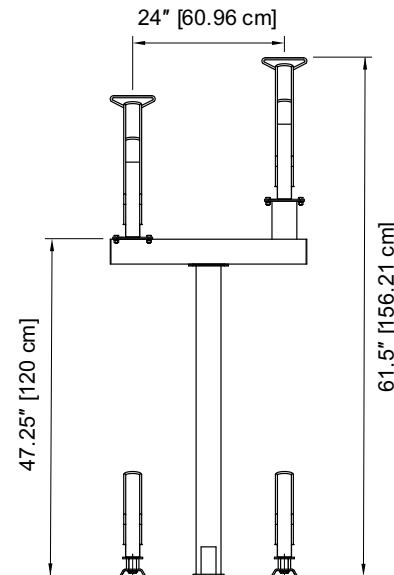
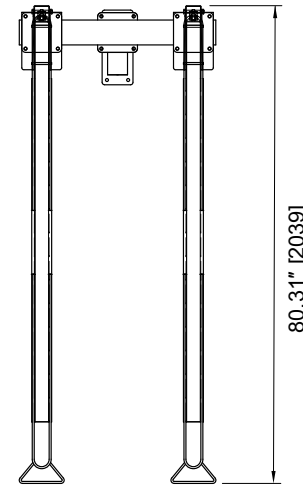
## OPTIONS

- Additional locking bar
- Customizable on center distance \_\_\_\_\_

## SPACING REQUIREMENTS

For recommendations and details on clearances and aisle widths please refer to the [APBP Bicycle Parking Guide](#) or your local ordinances and guidelines.

Drawings are for information purposes only and while accurate at the time of creation, Kinetic Parking Solutions, Inc. must confirm its accuracy prior to submission.



# EZ-Lift™ 17 High Density Transversal Rack

## PRODUCT CODE

10101411 Transversal Straight Top Tray

## CAPACITY

6 Bikes per set (upper/lower)

*NOTE: drawings show 3 bikes on top, 3 bikes on bottom*

## MATERIALS

Steel & Aluminum

## LIFT ASSIST

Gas Strut: 30,000 movements

## FINISHES

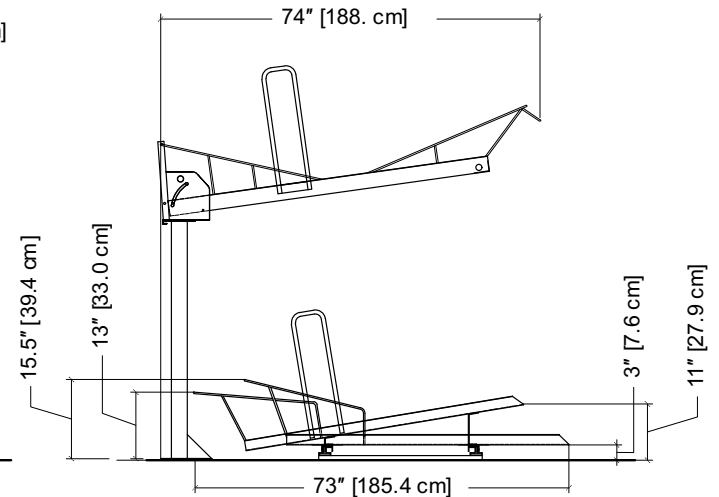
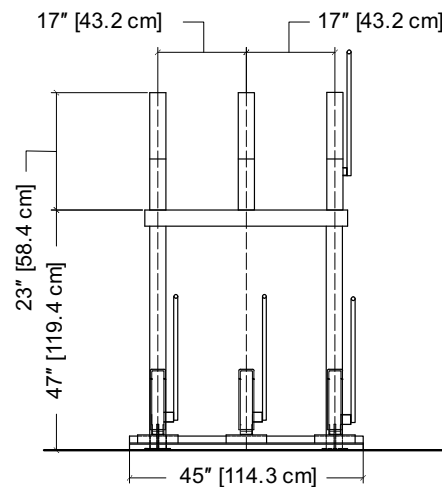
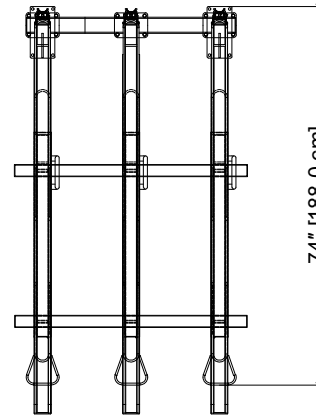
- Powder Coated ANY STANDARD RAL
- Galvanized

## OPTIONS

- Additional locking bar
- Customizable on center distance \_\_\_\_\_

## SPACING REQUIREMENTS

For recommendations and details on clearances and aisle widths please refer to the [APBP Bicycle Parking Guide](#) or your local ordinances and guidelines.



Drawings are for information purposes only and while accurate at the time of creation, Kinetic Parking Solutions, Inc. must confirm its accuracy prior to submission.

# EZ-Lift™ 18 High Density Transversal Rack

## PRODUCT CODE

10101411 Transversal Straight Top Tray

## CAPACITY

6 Bikes per set (upper/lower)

*NOTE: drawings show 3 bikes on top, 3 bikes on bottom*

## MATERIALS

Steel & Aluminum

## LIFT ASSIST

Gas Strut: 30,000 movements

## FINISHES

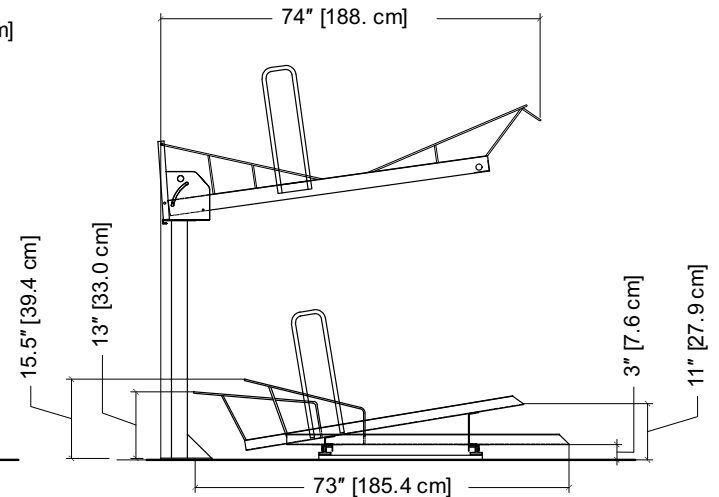
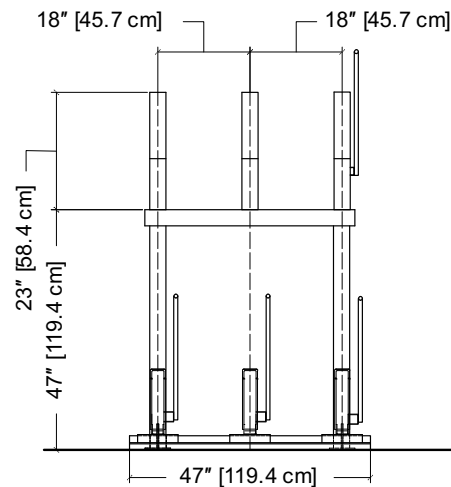
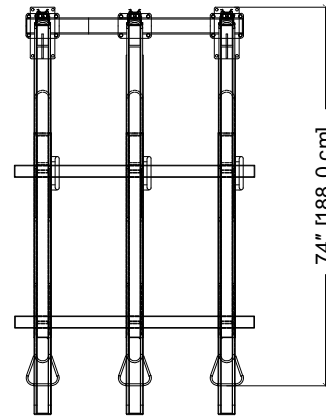
- Powder Coated ANY STANDARD RAL
- Galvanized

## OPTIONS

- Additional locking bar
- Customizable on center distance \_\_\_\_\_

## SPACING REQUIREMENTS

For recommendations and details on clearances and aisle widths please refer to the [APBP Bicycle Parking Guide](#) or your local ordinances and guidelines.



Drawings are for information purposes only and while accurate at the time of creation, Kinetic Parking Solutions, Inc. must confirm its accuracy prior to submission.

# EZ-Lift™ 17 High Density Angled Rack

## PRODUCT CODE

10101410 Transversal Angled Top Tray

## CAPACITY

6 Bikes per set (upper/lower)

*NOTE: drawings show 3 bikes on top, 3 bikes on bottom*

## MATERIALS

Steel & Aluminum

## FINISHES

- Powder Coated ANY STANDARD RAL
- Galvanized

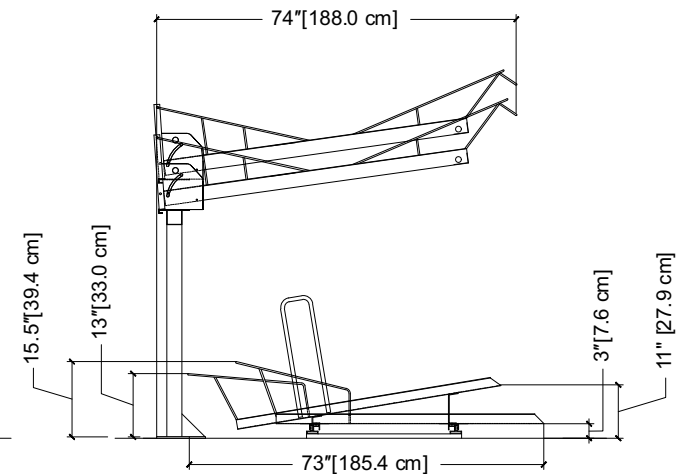
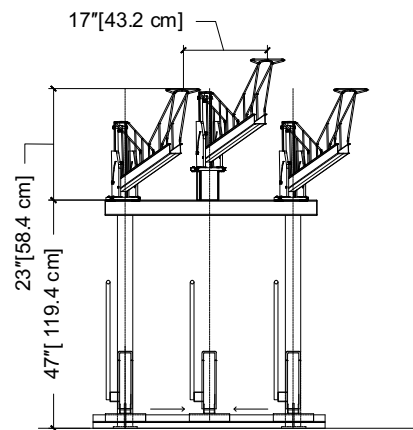
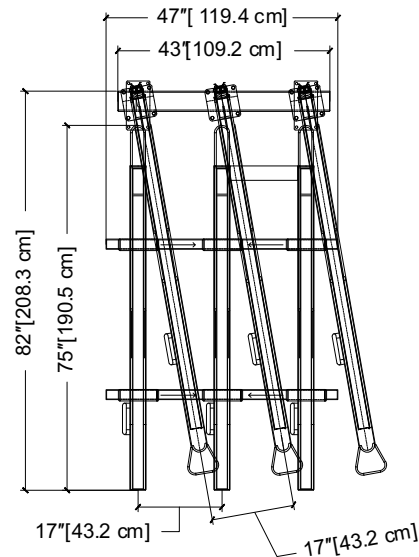
## OPTIONS

- Additional locking bar
- Customizable on center distance \_\_\_\_\_

## SPACING REQUIREMENTS

For recommendations and details on clearances and aisle widths please refer to the [APBP Bicycle Parking Guide](#) or your local ordinances and guidelines.

Drawings are for information purposes only and while accurate at the time of creation, Kinetic Parking Solutions, Inc. must confirm its accuracy prior to submission.



# EZ-Lift™ 18 High Density Angled Rack

## PRODUCT CODE

10101410 Transversal Angled Top Tray

## CAPACITY

6 Bikes per set (upper/lower)

*NOTE: drawings show 3 bikes on top, 3 bikes on bottom*

## MATERIALS

Steel & Aluminum

## FINISHES

- Powder Coated ANY STANDARD RAL
- Galvanized

## OPTIONS

- Additional locking bar
- Customizable on center distance \_\_\_\_\_

## SPACING REQUIREMENTS

For recommendations and details on clearances and aisle widths please refer to the [APBP Bicycle Parking Guide](#) or your local ordinances and guidelines.

Drawings are for information purposes only and while accurate at the time of creation, Kinetic Parking Solutions, Inc. must confirm its accuracy prior to submission.

